

**WELCOME  
TO FIRST CLASS**

Sirius S.p.a., established in 1996, operates in the market sector of residential air ventilation and purification, in particular it produces cooker hoods for residential kitchens. Quality, innovation, professional competence, technology and design are rolled into one with a clear and dynamic commercial policy that has permitted a rapid growth of the company, ensuring market penetration throughout the world.

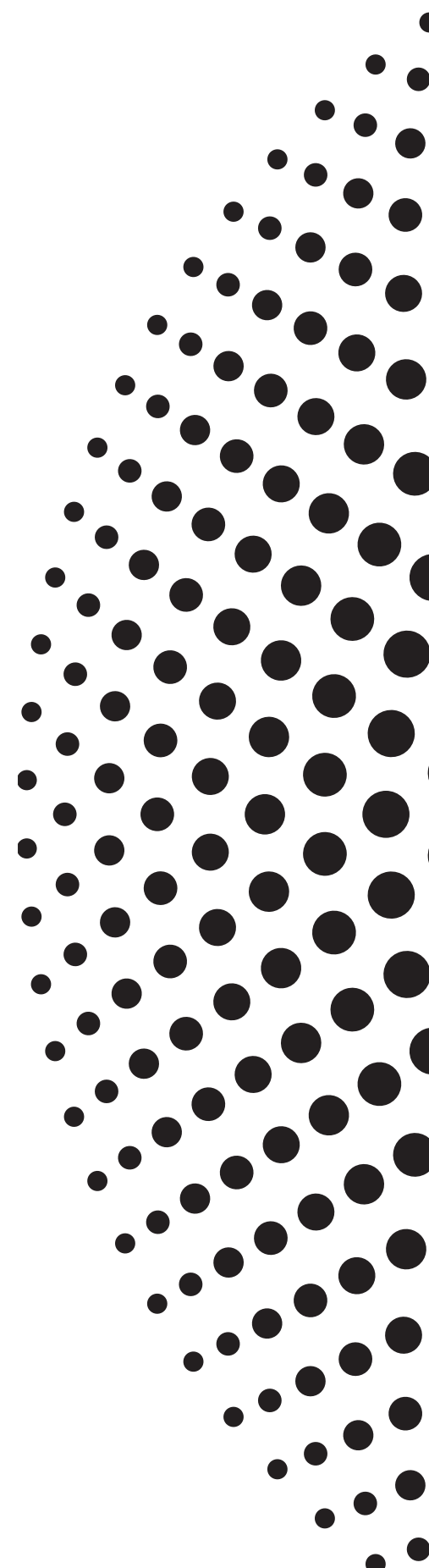
Sirius has, in a short time, become a world leader in the sector of high quality decorative cooker hoods, encompassing a wide product range and exporting 90% of its production.

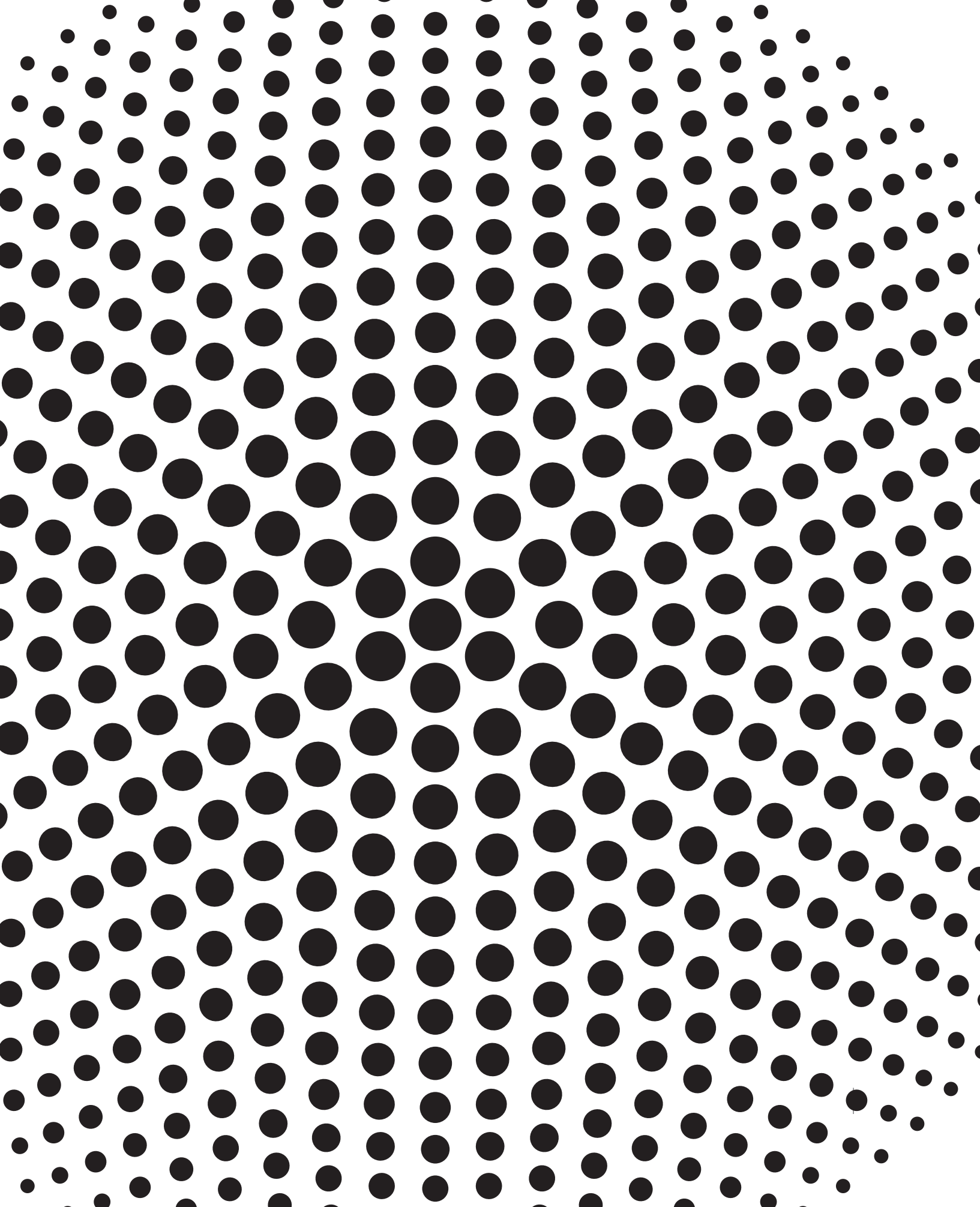
The strategic choices accomplished in the technical productivity sectors, dictated by many years of experience, have been of fundamental importance for the growth and success of the company.

A wide range of products, different technological possibilities and innovation, functionality of the components used, such as the motors, and different ventilation components represent a combination between design and functionality. This gives the clients a wide choice, to meet all of their ventilation needs. Our company's philosophy, innovative in the market of residential kitchen ventilation, aims to maintain and improve the high quality standards of our production in style, technology and design, which are synthesized by the realization of modular and innovative ventilation systems.



**Sirius**  
● ○ ●









## CERAMIC HANDMADE

HIVE SILT 27	p. 11
SNOOP SLT 104	p. 15
DERUTA SILT 26	p. 17
LINK SLT 106	p. 19
SQUARES SLTC 103	p. 21
ECLIPSE SLTC 94	p. 23

## DOWNDRAFT / UPRIGHT

BALANCE SDD18	p. 27
SUNRISE SDD13	p. 29
ESSENCE SDD16	p. 31
JOLLY SDD17	p. 33
SMOOTH SDD12	p. 35
PUSH UP SDD11	p. 37
SDD2 L TC	p. 39
SDD2 L INOX	p. 41
SDD2 TC / INOX	p. 43
SDD4 TC	p. 45
SDD3 TC	p. 47
UPRIGHT	p. 49

## CEILING HOODS

FRAME SLT 970	p. 53
LESS SLT 971	p. 55
SLT 968	p. 57
SHAPE SLT 967	p. 59
POD SLT 966	p. 61
RING SLT 962	p. 63
SLT 960	p. 65
SLT 958 WHITE / INOX	p. 67
SLT 951	p. 69

## DECORATIVE ISLAND

ROLL SILT 28	p. 73
SILT 18 / 18 L	p. 75
SILT 21	p. 76
MO 406	p. 77
MO 404	p. 78
MO 405	p. 79
SIL 24 TC	p. 80
SIL 24	p. 81

## WALL HOODS

FLAT SLTC 111	p. 85
TECH SLTC 110	p. 87
APPLIQUE SLT 105	p. 89
SKINNY SLTC 93	p. 91
TAKSIM SLTC 95	p. 93
JEEG SLTC 97	p. 95
SL-SLTC 107	p. 97
SLTR 75	p. 99
SLTC 75	p. 100
SLTC 91	p. 101
SLTC 90	p. 102
SL 92	p. 103
SLTC 92	p. 104
SL 31	p. 105
SL 89	p. 106
MO 207	p. 107
MO 208	p. 108

## BUILT-IN PRODUCTS

SL 921	p. 113
WING SLTC 919	p. 115
SL 913	p. 116
SL 914	p. 117
SL 906 L	p. 118
SL 903-P	p. 119
SL - SLT - SM 900	p. 120
SM 905	p. 121
SL 909	p. 122
SL 907	p. 123

## REMOTE MOTORS

SEM 1	p. 124
SEM 2	p. 124
SEM 7 BRH	p. 124
SEM 8	p. 124
SEM 9 BRH	p. 125
SEM 10	p. 125
SEM 12 BRH	p. 125

INSTALLATION SCHEMES	p. 126
ACCESSORIES	p. 136

ENERGY DATA LABEL	p. 137
-------------------	--------

*“A man who works with his hands  
is a laborer; a man who works  
with his hands and his brain  
is a craftsman; but a man who  
works with his hands and his brain  
and his heart is an artist”*

L. Nizer

# CERAMIC HANDMADE

MADE IN DERUTA, ITALY



Ceramic is an extraordinary material. Among the natural ones, it's the material that offers most versatility. Various methods of manufacturing allow, in fact, many different applications. You can find it in the most diverse contexts: in a high school classroom, where students shape clay using a press during art classes or in the most technological and advanced implementations, such as the coverings of the Space Shuttle.

Though originating from the plain mixing of water and clay, it has the most resistant physical features.

Extraordinary objects have been carved out of this material: from Jo Ponti and Raymond Loewy's porcelains to the creations of the most influencing Italian design master, Ettore Sottsass.

In spite of its limitless potential, ceramic has always been considered as a material belonging to the world of arts, rather than industry. Apart from bathrooms, there are only few examples of ceramic applications for the production of industrial goods.

The curiosity of experimenting new languages in a pretty industrial field - as the one of electric appliances is - pushed us forward. It drew us to cross the border between art/handcraft and industry.

Thanks to the cooperation of professional figures coming from different fields - such as: industrial designers, craftsmen, engineers, technical designers - we gave life to objects with a technological soul. Though being produced in series, they maintain that authenticity typical of the unique piece.





# HIVE SILT 27

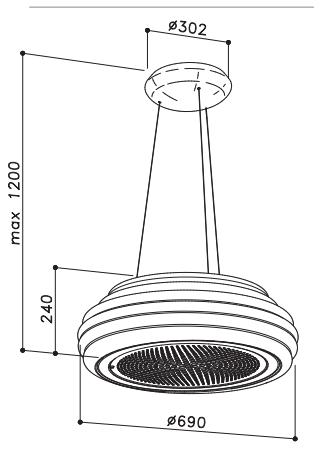
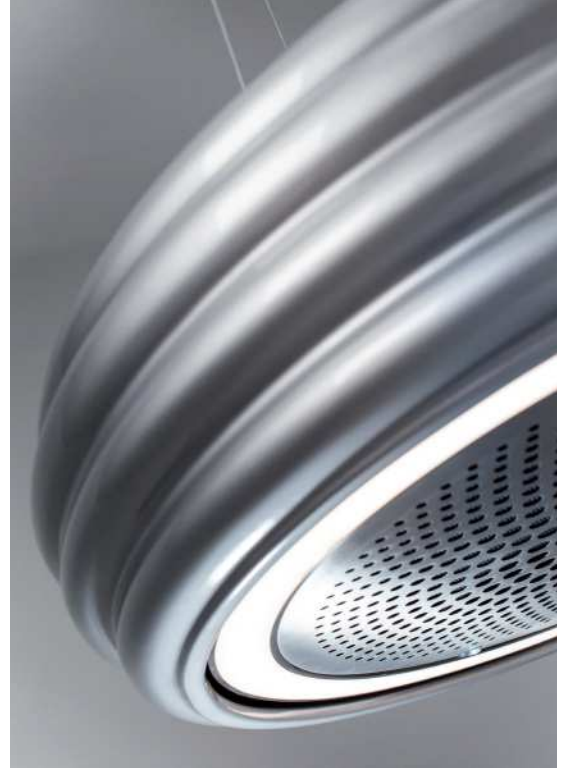


remote control / on board motor / rounded led strip / stainless steel filter / only filtering version

DESIGN GIACOMO FAVA

ceramic  
gold / silver / copper / white

CERAMIC HANDMADE | 11



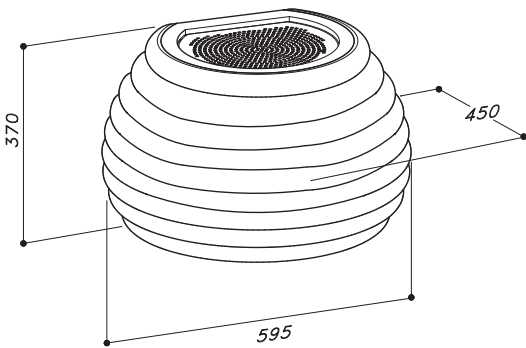
---

motor: 550 m3 h  
absorption: 110 W  
noise level: 68 dBA  
lighting: rounded led 20W

---







---

motor: 600 m3 h  
absorption: 230 W  
noise level: 65 dBA  
lighting: led strip 6,5W

---

# SNOOP SLT 104



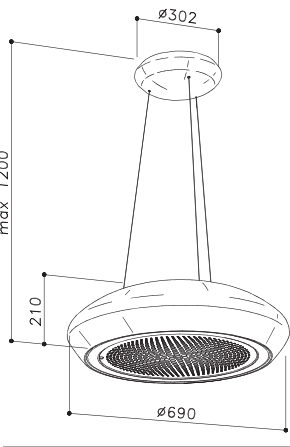
remote control / on board motor / led strip / stainless steel filter / only filtering version

DESIGN GIACOMO FAVA

ceramic  
gold / silver / copper / white / black



**SILT 26 LAMP**  
lighting: round neon 82W



---

motor: 550 m3 h  
absorption: 110 W  
noise level: 68 dBA  
lighting: rounded led 20W

---

# DERUTA SILT 26



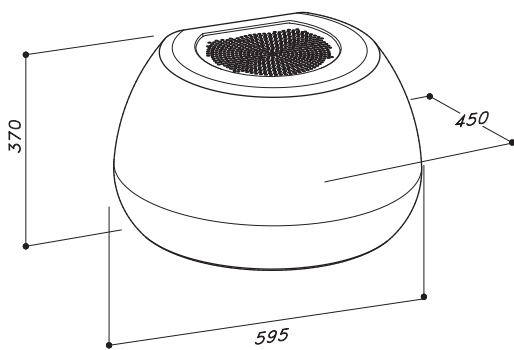
remote control / on board motor / rounded led strip / stainless steel filter / only filtering version

DESIGN GIACOMO FAVA

ceramic

white / gold / silver / copper / black

CERAMIC HANDMADE | 17



---

motor: 600 m3 h  
absorption: 230 W  
noise level: 65 dBA  
lighting: led strip 6,5W

---



# LINK SLT 106

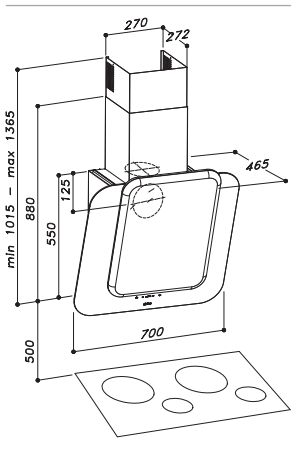


remote control / on board motor / led strip / stainless steel filter / only filtering version

DESIGN GIACOMO FAVA

**ceramic**  
gold / silver / copper / white

CERAMIC HANDMADE | 19



---

product dim. motor model identifier EEC  
SLTC 103 700 on-board P103070TC1280113 A  
energy label pag. 137



# SQUARES SLTC 103



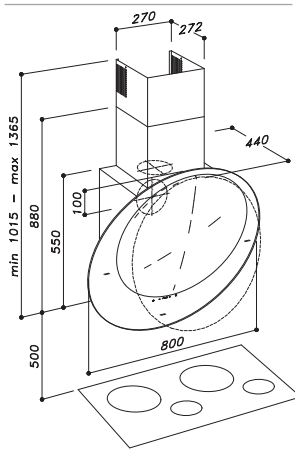
touch control / on board motor / led strip / top or back vented / anodized aluminum filter

DESIGN GIACOMO FAVA

**glass / ceramic**

white glass and ceramic panel (gold - silver - copper)  
black glass and ceramic panel (gold - silver - copper)

CERAMIC HANDMADE | 21




---

product dim. motor model identifier EEC  
 SLTC94 800 on-board P094080TC1280113 A  
 energy label pag. 137

# ECLIPSE SLTC 94



touch control / on board motor / led strip / top or back vented / anodized aluminum filter

DESIGN GIACOMO FAVA

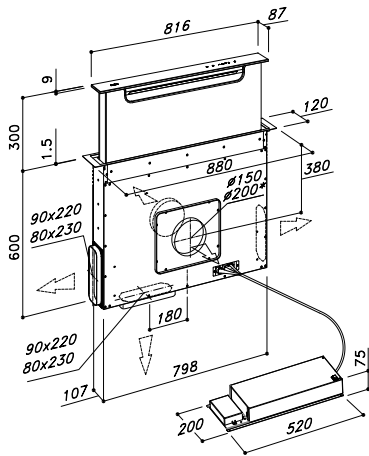
**glass / ceramic**

white glass and ceramic panel (gold - silver - copper)  
black glass and ceramic panel (gold - silver - copper)

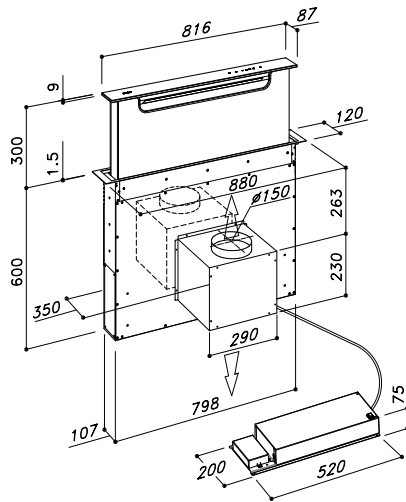
*“There is a moment in every  
dawn when light floats,  
there is the possibility of magic.  
Creation holds its breath.”*

Douglas Adams

# DOWNDRAFT UPRIGHT



external motor



motor on board



filter with oil collector

**note**

- For the installation create a niche in the countertop of 108 x 826 mm
- The motor on board needs to be purchased separately.
- The motor is not included in the external motor version. See p. 124-125

product	dim. motor	model identifier	EEC
S-DD18	880 on-board	D018088TC1282472	A
S-DD18 EM	880 SEM1	D018088TC1292472	A
S-DD18 EM	880 SEM2	D018088TC1152472	C
S-DD18 EM	880 SEM8	D018088TC1172472	B
S-DD18 EM	880 SEM10	D018088TC1302472	B
BRH S-DD18 EM	880 SEM12	D018088TC1312472	A

energy label pag. 137  
 installation schemes pag. 126

# BALANCE S DD 18

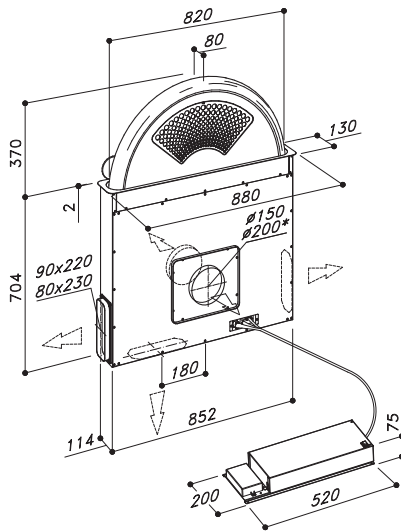


touch control / on board motor / external motor / led strip / anodized aluminum / filter with oil collector

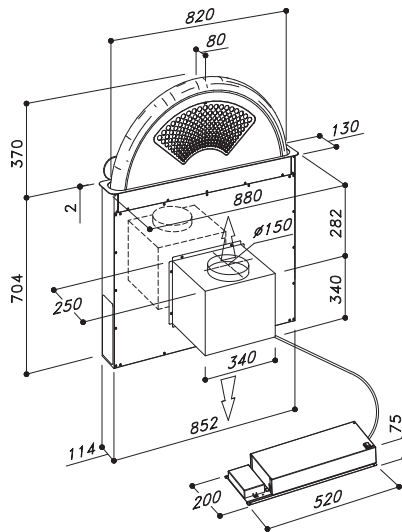
DESIGN GIACOMO FAVA

polished stainless steel / glass  
white / black

DOWNDRAFT - UPRIGHT | 27



external motor



motor on board

**note**

- For the installation create a niche in the countertop of 115 x 850mm
- The motor on board needs to be purchased separately.
- The motor is not included in the external motor version. See p. 124-125

product	dim. motor	model identifier	EEC
S-DD13	880 on-board	D013088TC1283163	A
S-DD13 EM	880 SEM1	D013088TC1293163	A
S-DD13 EM	880 SEM2	D013088TC1153163	B
S-DD13 EM	880 SEM8	D013088TC1173163	C
S-DD13 EM	880 SEM10	D013088TC1303163	C

energy label pag. 137



# SUNRISE S DD 13

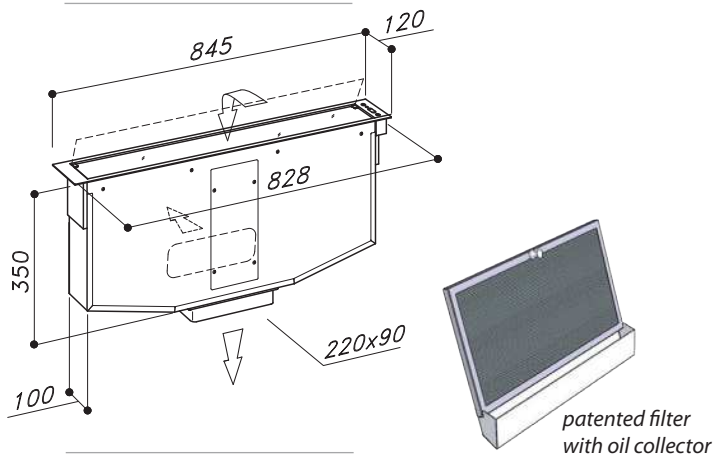


remote control / on board motor / external motor / led strip / polished stainless steel filter

DESIGN GIACOMO FAVA

stainless steel / glass  
gold / copper / black

DOWNDRAFT - UPRIGHT | 29



**note**

- Suction opening by 45° and 90°
- For the installation create a niche in the countertop of 102 x 832mm
- The motor is not included in the external motor version. See p. 124-125

product	dim.	motor	model identifier	EEC
S-DD16 EM 845	SEM1		D016085TC129XX61 A	
S-DD16 EM 845	SEM2		D016085TC115XX61 B	
S-DD16 EM 845	SEM10		D016085TC130XX61 B	
BRH S-DD16 EM 845	SEM12		D016085TC131XX61 B	

energy label pag. 137  
 installation schemes pag. 126

# ESSENCE S DD 16



touch control / external motor / patented filter with oil collector / speed indicator

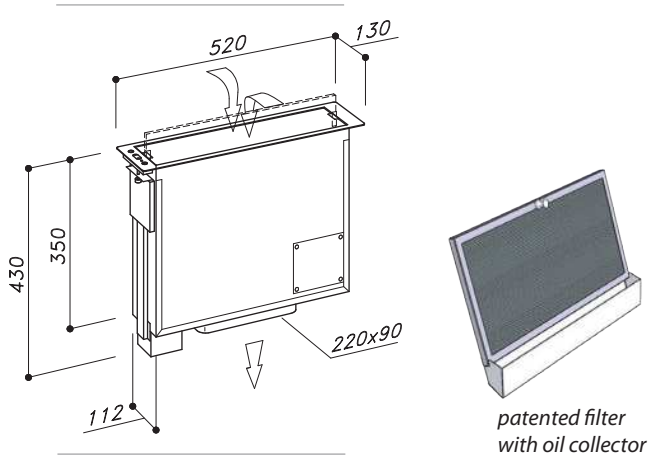
DESIGN GIACOMO FAVA

painted stainless steel / glass  
frame black / inox

DOWNDRAFT - UPRIGHT | 31



**JOLLY S DD 17 INOX**  
Stainless steel frame and stainless steel panel



**note**

- For the installation create a niche in the countertop of 117 x 486mm
- The motor is not included in the external motor version. See p. 124-125

product	dim. motor	model identifier	EEC
S-DD17 EM 520 SEM1		D017052TC129XX69 A	
S-DD17 EM 520 SEM2		D017052TC115XX69 B	
S-DD17 EM 520 SEM10		D017052TC130XX69 C	
BRH S-DD17 EM 520 SEM12		D017052TC131XX69 B	

energy label pag. 137  
installation schemes pag. 126

# JOLLY S DD 17



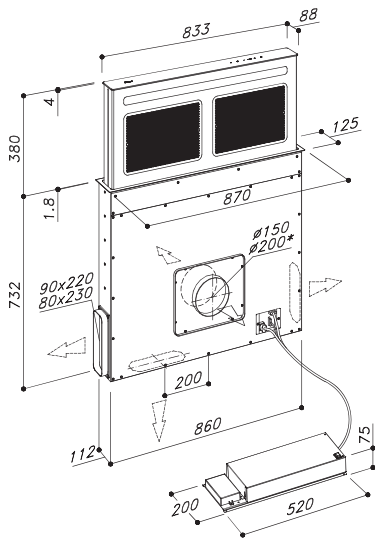
touch control / external motor / patented filter with oil collector / speed indicator

DESIGN GIACOMO FAVA

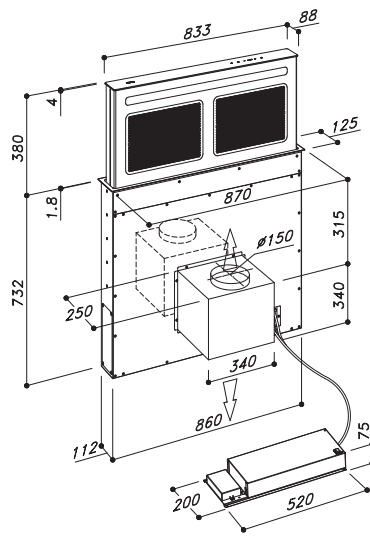
black painted frame and black glass panel

DOWNDRAFT - UPRIGHT | 33





external motor



motor on board

**note**

- For the installation create a niche in the countertop of 115mm x 865mm
- This down-draft is equipped with anti-crushing safety system
- The motor on board needs to be purchased separately.
- The motor is not included in the external motor version. See p. 124-125

product	dim. motor	model identifier	EEC
S-DD12 TC	870 on-board	D012088TC1282339	A
S-DD12 EM TC	870 SEM1	D012088TC1292339	B
S-DD12 EM TC	870 SEM2	D012088TC1152339	B
S-DD12 EM TC	870 SEM8	D012088TC1172339	B
S-DD12 EM TC	870 SEM10	D012088TC1302339	C

energy label pag. 137  
 installation schemes pag. 126

# SMOOTH S DD 12

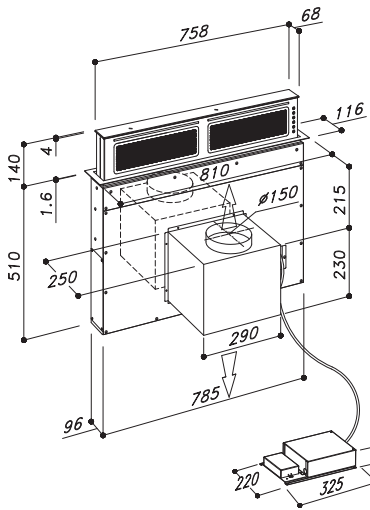
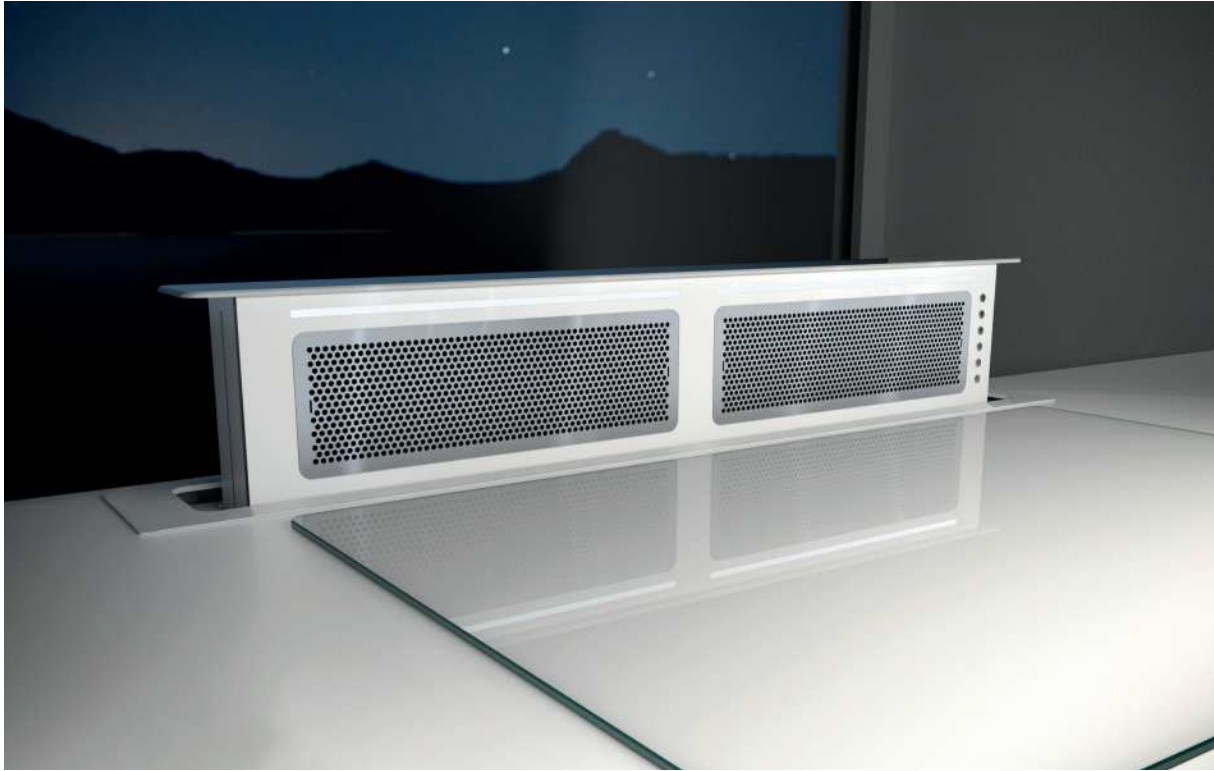


touch control / on board motor / external motor / led strip / polished stainless steel filter

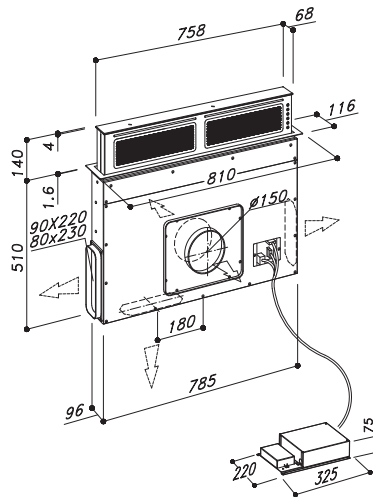
DESIGN GIACOMO FAVA

painted stainless steel / glass  
white / black

DOWNDRAFT - UPRIGHT | 35



motor on board



external motor

**note**

- For the installation create a niche in the countertop of 100mm x 790mm
- The motor on board needs to be purchased separately.
- The motor is not included in the external motor version. See p. 124-125

product	dim. motor	model identifier	EEC
S-DD11 X	810 on-board	D011088PB1282219	B
S-DD11 EM X	810 SEM1	D011088PB1292219	B
S-DD11 EM X	810 SEM2	D011088PB1152219	C
S-DD11 EM X	810 SEM10	D011088PB1302219	C
BRH S-DD11 EM X	810 SEM12	D011088PB1312219	C

energy label pag. 137  
 installation schemes pag. 126



# PUSH UP S DD 11

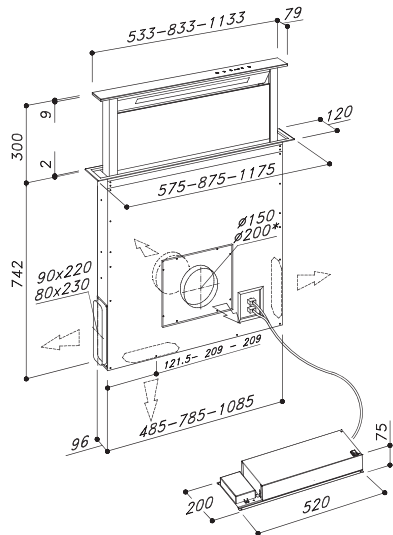


chromed push-button / on board motor / external motor / led strip / polished stainless steel filter

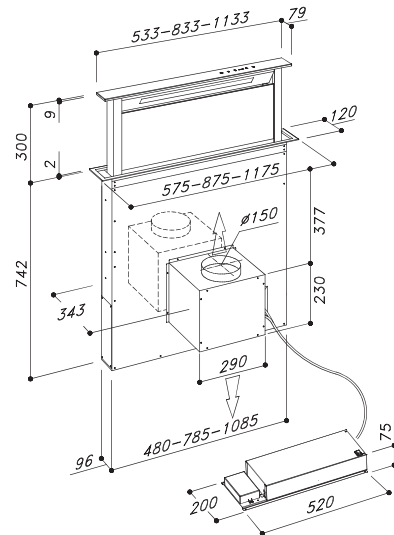
DESIGN GIACOMO FAVA

painted stainless steel / glass  
white / black

DOWNDRAFT - UPRIGHT | 37



external motor



motor on board

# S DD 2 L TC



## DESIGN SIRIUS

product	dim.	motor	model identifier	EEC
SDD2-L TC	575	on-board	D002058TC1281116	B
SDD2-L-EM TC	575	SEM1	D002058TC1291116	B
SDD2-L-EM TC	575	SEM2	D002058TC1151116	C
SDD2-L-EM TC	575	SEM8	D002058TC1171116	C
SDD2-L-EM TC	575	SEM10	D002058TC1301116	C
SDD2-L TC	875	on-board	D002088TC1281415	A
SDD2-L-EM TC	875	SEM1	D002088TC1291415	B
SDD2-L-EM TC	875	SEM2	D002088TC1151415	C
BRH SDD2-L-EM TC	875	SEM7 Ø150	D002088TC1161415	A
BRH SDD2-L-EM TC	875	SEM7 Ø200	D002088TC1161415	A
SDD2-L-EM TC	875	SEM8	D002088TC1171415	C
SDD2-L-EM TC	875	SEM10	D002088TC1301405	C
BRH SDD2-L-EM TC	875	SEM12	D002088TC1311405	B
SDD2-L TC LED	875	on-board	D002088PB1282415	A
SDD2-L-EM TC LED	875	SEM1	D002088PB1292415	B
SDD2-L-EM TC LED	875	SEM2	D002088PB1152415	C
BRH SDD2-L-EM TC LED	875	SEM7 Ø150	D002088PB1162415	A+
BRH SDD2-L-EM TC LED	875	SEM7 Ø200	D002088PB1162415	A+
SDD2-L-EM TC LED	875	SEM8	D002088PB1172415	C
SDD2-L-EM TC LED	875	SEM10	D002088PB1302415	C
BRH SDD2-L-EM TC LED	875	SEM12	D002088PB1312415	B
SDD2-L TC	1175	on-board	D002118TC1281317	B
SDD2-L-EM TC	1175	SEM1	D002118TC1291317	B
SDD2-L-EM TC	1175	SEM2	D002118TC1151317	C
SDD2-L-EM TC	1175	SEM8	D002118TC1171317	C
SDD2-L-EM TC	1175	SEM10	D002118TC1301317	C

energy label pag. 137

installation schemes pag. 126

### note

- For the installation create a niche in the countertop using the following dimensions:

for 575 mm: 100x542 mm

for 875 mm: 100x842 mm

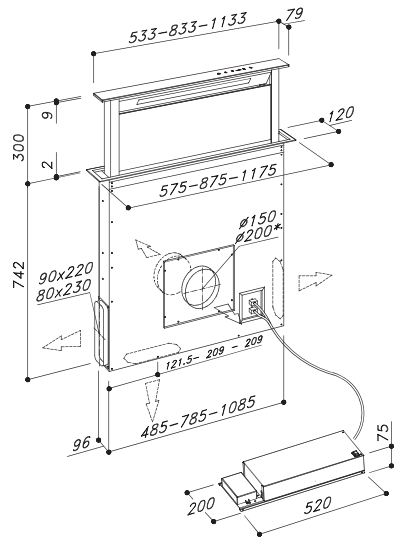
for 1175 mm: 100x1142 mm

- This downdraft is equipped with anti-crushing safety system

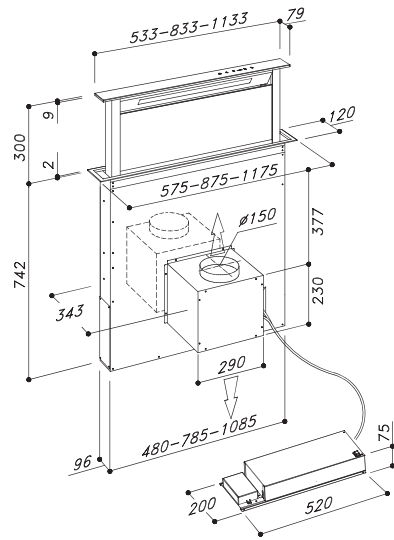
- The motor is not included in the external motor version. See p. 124-125

- The motor on board needs to be purchased separately.

touch control / on board motor / external motor / anodized aluminum filter



external motor



motor on board

# S DD 2 L / INOX



## DESIGN SIRIUS

product	dim.	motor	model identifier	EEC
SDD2-L INOX	575	on-board	D002058PB1281116	B
SDD2-L-EM INOX	575	SEM1	D002058PB1291116	B
SDD2-L-EM INOX	575	SEM2	D002058PB1151116	C
SDD2-L-EM INOX	575	SEM8	D002058PB1171116	C
SDD2-L-EM INOX	575	SEM10	D002058PB1301116	C
SDD2-L INOX	875	on-board	D002088PB1281415	A
SDD2-L-EM INOX	875	SEM1	D002088PB1291415	B
SDD2-L-EM INOX	875	SEM2	D002088PB1151415	C
BRH SDD2-L-EM INOX	875	SEM7 Ø150	D002088PB1161415	A
BRH SDD2-L-EM INOX	875	SEM7 Ø200	D002088PB1161415	A
SDD2-L-EM INOX	875	SEM8	D002088PB1171415	C
SDD2-L-EM INOX	875	SEM10	D002088PB1301405	C
BRH SDD2-L-EM INOX	875	SEM12	D002088PB1311405	B
SDD2-L INOX LED	875	on-board	D002088TC1282415	A
SDD2-L-EM INOX LED	875	SEM1	D002088TC1292415	B
SDD2-L-EM INOX LED	875	SEM2	D002088TC1152415	C
BRH SDD2-L-EM INOX LED	875	SEM7 Ø150	D002088TC1162415	A+
BRH SDD2-L-EM INOX LED	875	SEM7 Ø200	D002088TC1162415	A+
SDD2-L-EM INOX LED	875	SEM8	D002088TC1172415	C
SDD2-L-EM INOX LED	875	SEM10	D002088TC1302415	C
BRH SDD2-L-EM INOX LED	875	SEM12	D002088TC1312415	B
SDD2-L INOX	1175	on-board	D002118PB1281317	B
SDD2-L-EM INOX	1175	SEM1	D002118PB1291317	B
SDD2-L-EM INOX	1175	SEM2	D002118PB1151317	C
SDD2-L-EM INOX	1175	SEM8	D002118PB1171317	C
SDD2-L-EM INOX	1175	SEM10	D002118PB1301317	C

energy label pag. 137

installation schemes pag. 126

### note

- Create a niche in the countertop using the following dimensions:

for 575 mm: 100x542 mm

for 875 mm: 100x842 mm

for 1175 mm: 100x1142 mm

- This downdraft is equipped with anti-crushing safety system

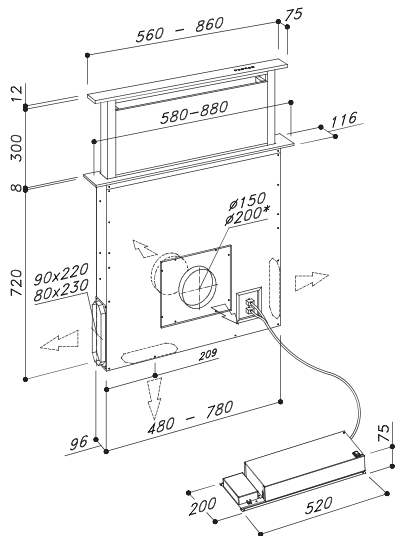
- The motor is not included in the external motor version. See p. 124-125

- The motor on board needs to be purchased separately.

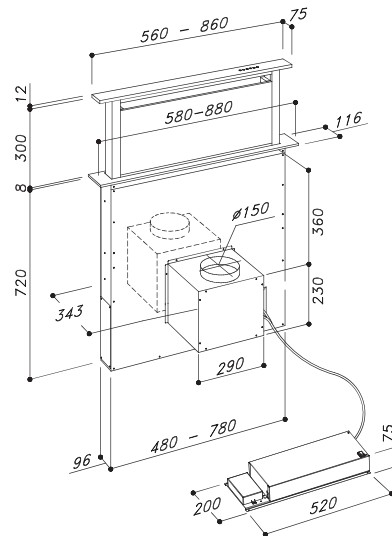
touch control / on board motor / external motor / anodized aluminum filter



SDD 2 INOX



external motor



motor on board

# S DD 2 TC / INOX



SDD 2 TC

DESIGN SIRIUS

product	dim.	motor	model identifier	EEC
SDD2 INOX	580	on-board	D002058PB128XX07	A
SDD2_EM INOX	580	SEM1	D002058PB129XX07	A
SDD2_EM INOX	580	SEM2	D002058PB115XX07	C
SDD2_EM INOX	580	SEM8	D002058PB117XX07	C
SDD2_EM INOX	580	SEM10	D002058PB130XX07	B
SDD2 TC	580	on-board	D002058TC128XX07	A
SDD2_EM TC	580	SEM1	D002058TC129XX07	A
SDD2_EM TC	580	SEM2	D002058TC115XX07	C
SDD2_EM TC	580	SEM8	D002058TC117XX07	C
SDD2_EM TC	580	SEM10	D002058TC130XX07	B
SDD2 INOX	875	on-board	D002088PB128XX05	A+
SDD2_EM INOX	875	SEM1	D002088PB129XX05	B
SDD2_EM INOX	875	SEM2	D002088PB115XX05	B
SDD2_EM INOX	875	SEM8	D002088PB117XX05	C
SDD2_EM INOX	875	SEM10	D002088PB130XX05	B
SDD2 TC	875	on-board	D002088TC128XX05	A+
SDD2_EM TC	875	SEM1	D002088TC129XX05	B
SDD2_EM TC	875	SEM2	D002088TC115XX05	B
SDD2_EM TC	875	SEM8	D002088TC117XX05	C
SDD2_EM TC	875	SEM10	D002088TC130XX05	B

energy label pag. 137

installation schemes pag. 126

### note

- Create a niche in the countertop using the following dimensions:

for 580 mm: 100x490 mm

for 880 mm: 100x790 mm

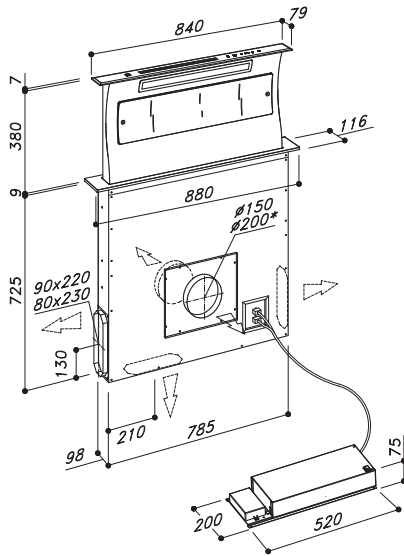
- This downdraft is equipped with anti-crushing safety system

- The motor is not included in the external motor version. See p. 124-125

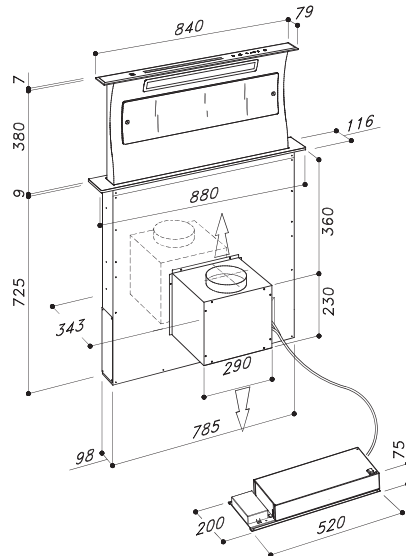
- The motor on board needs to be purchased separately.

touch control (SDD2 TC) / push button (SDD2 INOX) / on board motor / external motor / anodized aluminum filter





external motor



motor on board

# S DD 4 TC



DESIGN SIRIUS

product	dim.	motor	model identifier	EEC
SDD4_880TC	880	on-board	D004088TC1281415	A
SDD4_EM_880TC	880	SEM1	D004088TC1291415	B
SDD4_EM_880TC	880	SEM2	D004088TC1151415	C
SDD4_EM_880TC	880	SEM8	D004088TC1171415	C
SDD4_EM_880TC	880	SEM10	D004088TC1301415	C

energy label pag. 137

installation schemes pag. 126

#### **note**

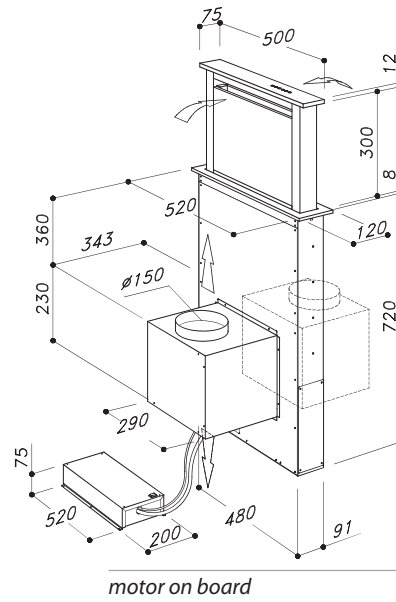
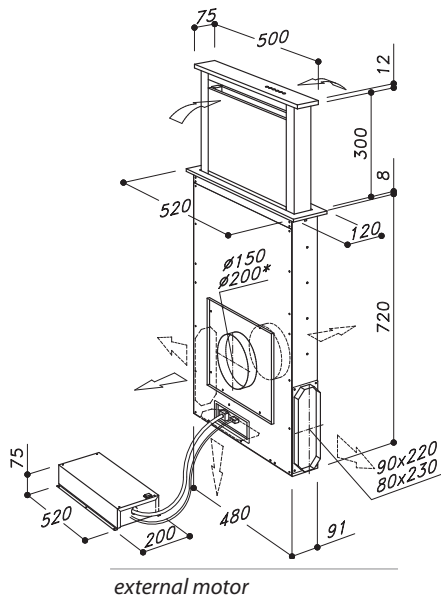
- For the installation create a niche in the countertop for 100x790 mm

- This downdraft is equipped with anti-crushing safety system

- The motor is not included in the external motor version. See p. 124-125

- The motor on board needs to be purchased separately.

touch control / on board motor / external motor / neon light / anodized aluminum filter



# S DD 3 TC DOMINO



DESIGN SIRIUS

product	dim.	motor	model identifier	EEC
SDD3_EM_TC	520	on-board	D003052TC128XX07	A
SDD3_EM_TC	520	SEM1	D003052TC129XX07	A
SDD3_EM_TC	520	SEM2	D003052TC115XX07	C
SDD3_EM_TC	520	SEM8	D003052TC117XX07	C
SDD3_EM_TC	520	SEM10	D003052TC130XX07	B

energy label pag. 137

installation schemes pag. 126

**note:**

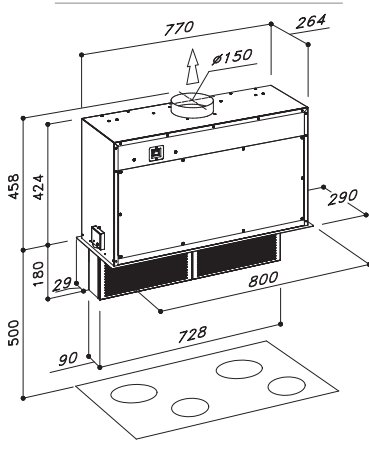
- For the installation create a niche in the countertop for 104x490 mm

- This downdraft is equipped with anti-crushing safety system

- The motor is not included in the external motor version. See p. 124-125

- The motor on board needs to be purchased separately.

touch control / on board motor / external motor / anodized aluminum filter



**note**

- For the installation create a niche in the cabinet for 778 x 267mm

- The motor is not included in the external motor version. See p. 124-125

- The "Upright" is a new and innovative product thanks to the exclusive vertical suction system and the automatic extraction that represents the most advanced and incomparable concept of technology.

product	dim. motor	model identifier	EEC
UPRIGHT built-in	800 on-board	U001087PB1280262	A
UPRIGHT-EM built-in	800 SEM1	U001087PB1290262	A
UPRIGHT-EM built-in	800 SEM2	U001087PB1150262	C

energy label pag. 137



# UPRIGHT



chromed push-button / on board motor / external motor / external motor / led strip / stainless steel filter

DESIGN SIRIUS

stainless steel

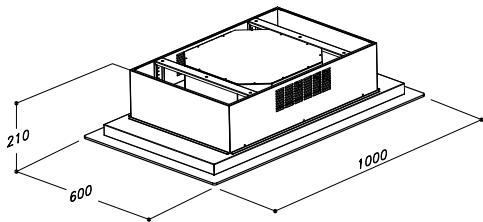
DOWNDRAFT - UPRIGHT | 49

*“The air up there in the clouds  
is very pure and fine,  
bracing and delicious.  
And why shouldn’t it be?  
It is the same the angels breathe.”*

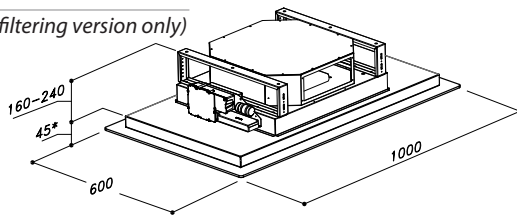
Mark Twain



# CEILING HOODS



freestanding (filtering version only)



built-in

\* this part must not be built-in

**note**

- For the installation, create a false ceiling with a niche of 850 x 470 mm whose minimum height to be reached is 200 mm

- The motor is not included in the external motor version. See p. 124-125

Product	Motor	Model Identifier	EEC
SLT970	on-board	C970100RC1243643	B
BRH SLT970	on-board	C970100RC1273643	A
SLT970 EM	SEM1	C970100RC1293643	B
SLT970 EM	SEM2	C967100RC1152565	C

energy label pag. 137

# FRAME SLT 970



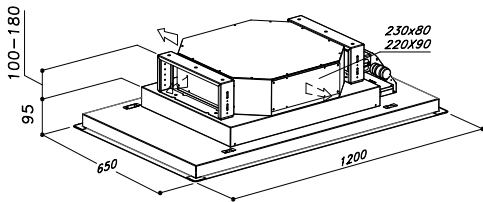
remote control / on board motor / external motor / led spot / anodized aluminum filter / dimmer light

DESIGN SIRIUS

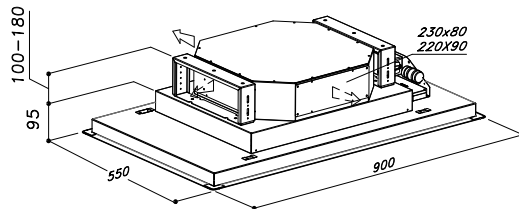
painted stainless steel / white glass  
white



SLT 971 WHITE  
 painted stainless steel  
 white glass



120 cm version



90 cm version

**note**

- For the installation, create a false ceiling with a niche of 865 x 515 mm (90 cm version) and 1165 x 615 mm (120 cm version) whose minimum height to be reached is 200 mm  
 - The motor is not included in the external motor version. See p. 124-125

product	dim.	motor	model identifier	EEC
SLT971	90	on-board	C971090RC1243637	B
BRH SLT971	90	on-board	C971090RC1273637	A
SLT971 EM	90	SEM1	C971090RC1293637	B
SLT971 EM	90	SEM2	C971090RC1153637	C
SLT971	120	on-board	C971120RC1243637	B
BRH SLT971	120	on-board	C971120RC1273637	B
SLT971 EM	120	SEM1	C971120RC1293637	B
SLT971 EM	120	SEM2	C971120RC1153637	C

energy label pag. 137

# LESS SLT 971 WHITE / INOX



SLT 971 INOX

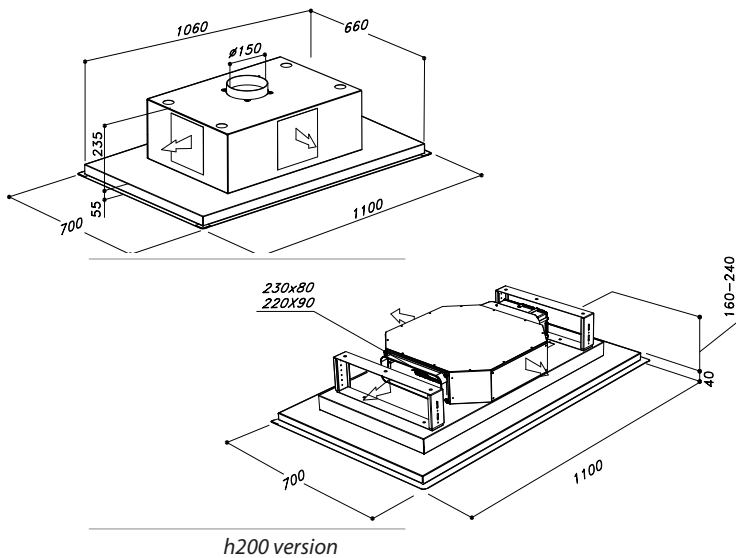
DESIGN SIRIUS

stainless steel

remote control / on board motor / external motor / led spot / anodized aluminum filter / dimmer light



SLT 968 WHITE  
 painted stainless steel  
 white glass

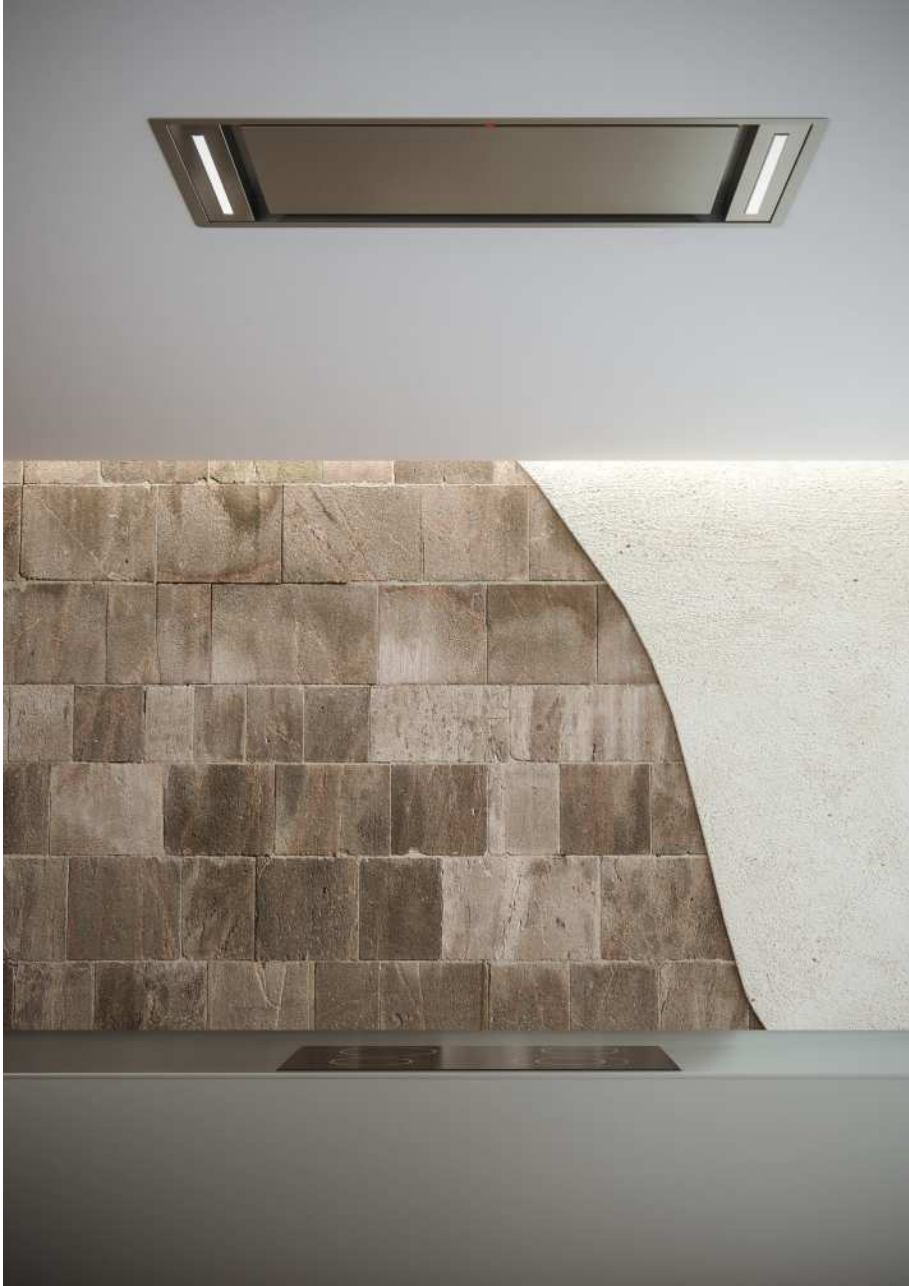


**note**  
 - For the installation, create a false ceiling with a niche of 1065 x 665 mm whose minimum height to be reached is 300 mm and 200 mm (for h200 version)  
 - The motor is not included in the external motor version. See p. 124-125

Product	Motor	Model Identifier	EEC
SLT968	on-board	C968110RC1283335	A
h200 SLT968	on-board	C968110RC1243313	C
h200 SLT968 EM	SEM1	C968110RC1293313	B
h200 SLT968 EM	SEM2	C968110RC1153313	B

energy label pag. 137

# SLT 968 WHITE / INOX



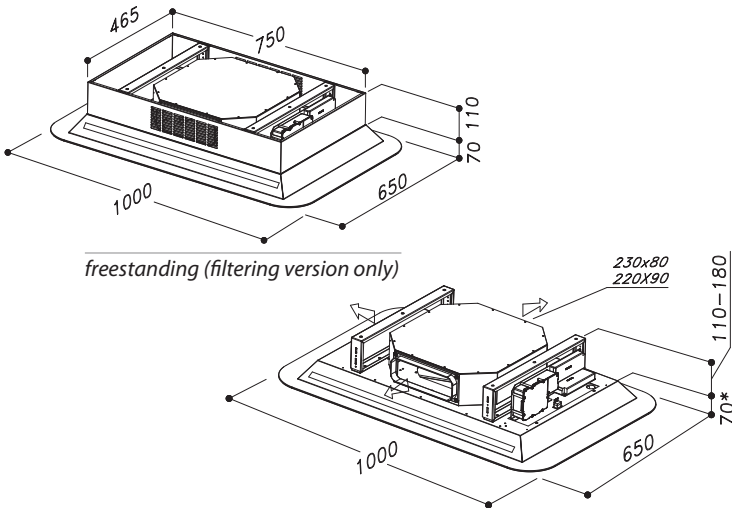
SLT 968 INOX

remote control / on board motor / external motor / led strip / anodized aluminum filter / dimmer light

DESIGN SIRIUS

stainless steel





freestanding (filtering version only)

built-in

\* this part must not be built-in

**note**

- For the installation, create a false ceiling with a niche of 730 x 450 mm whose minimum height to be reached is 110mm (only for built-in version)

- The motor is not included in the external motor version. See p. 124-125

Product	Motor	Model Identifier	EEC
SLT967	on-board	C967100RC1242565	C
BRH SLT967	on-board	C967100RC1272565	B
SLT967 EM SEM1		C967100RC1292565	B
SLT967 EM SEM2		C967100RC1152565	C

energy label pag. 137

# SHAPE SLT 967

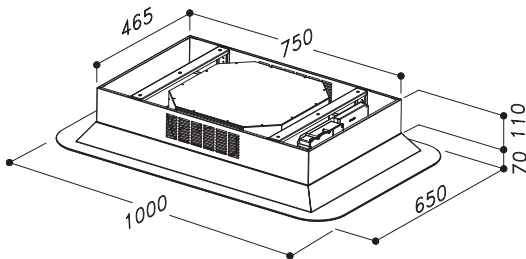


remote control / on board motor / external motor / led strip / stainless steel filter / ambient light / dimmer light

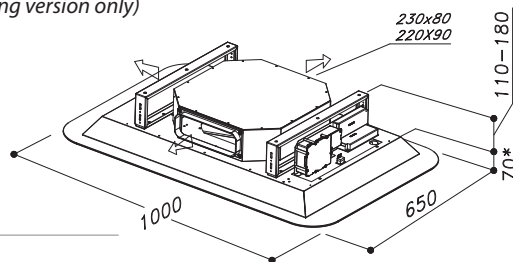
DESIGN GIACOMO FAVA

stainless steel / white glass  
white

CEILING HOODS | 59



freestanding (filtering version only)



built-in

\* this part must not be built-in

**note**

- For the installation, create a false ceiling with a niche of 730 x 450 mm whose minimum height to be reached is 110mm (only for built-in version)

- The motor is not included in the external motor version. See p. 124-125

Product	Motor	Model Identifier	EEC
SLT966	on-board	C966100RC1243268	B
BRH SLT966	on-board	C966100RC1273268	B
SLT966 EM SEM1		C966100RC1293268	A
SLT966 EM SEM2		C966100RC1153268	B

energy label pag. 137

# POD SLT 966

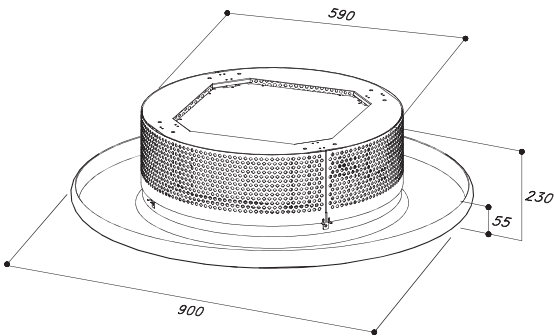


remote control / on board motor / external motor / led strip / stainless steel filter / dimmer light

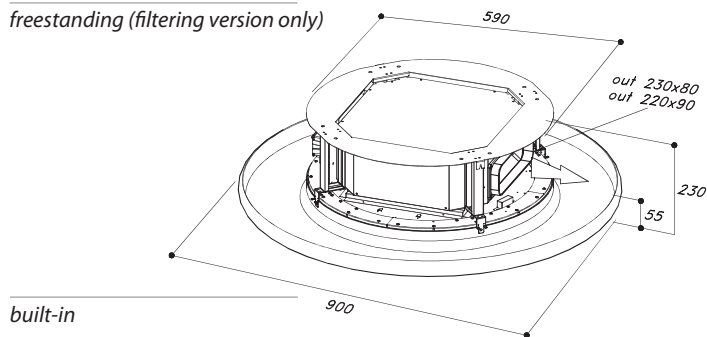
DESIGN GIACOMO FAVA

stainless steel / white glass  
white





freestanding (filtering version only)



built-in

**note**

- For the installation, create a false ceiling with a niche of  $\varnothing 700\text{mm}$  whose minimum height to be reached is 175mm (only for built-in version)
- The motor is not included in the external motor version. See p. 124-125

Product	Motor	Model Identifier	EEC
SLT962	on-board	C962090RC1241940	C
SLT962 EM SEM1		C962090RC1291940	B
SLT962 EM SEM2		C962090RC1151940	C

energy label pag. 137

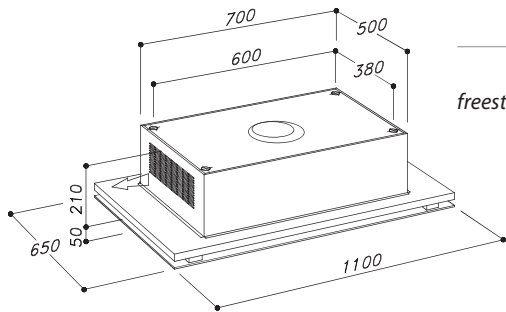
# RING SLT 962



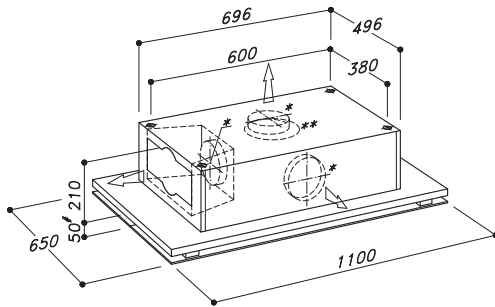
remote control / on board motor / external motor / round led strip / stainless steel filter / dimmer light

DESIGN GIACOMO FAVA

stainless steel / aluminum  
white / copper



freestanding



built-in  
 \* Ø 150mm  
 \*\* Ø 200mm  
 # this part must not be built-in

**note**

- For the installation, create a false ceiling with a niche of 750 x 550 mm whose minimum height to be reached is 215mm (only for built-in version)
- The motor is not included in the external motor version. See p. 124-124

Product	Motor	Model Identifier	EEC
SLT960	on-board	C960110RC1280435	B
SLT960 EM	SEM1	C960110RC1290435	B
SLT960 EM	SEM2	C960110RC1150435	C

energy label pag. 137



# SLT 960



remote control / on board motor / external motor / led strip / anodized aluminum filter / dimmer light

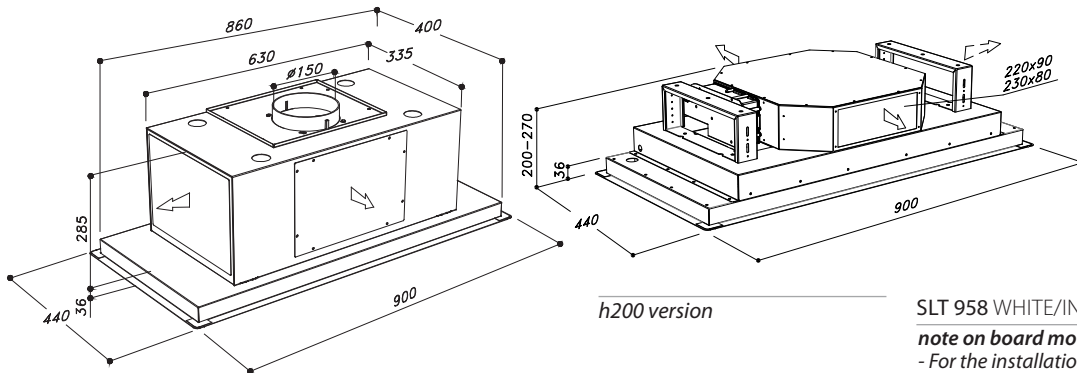
DESIGN SIRIUS

stainless steel / white glass

CEILING HOODS | 65

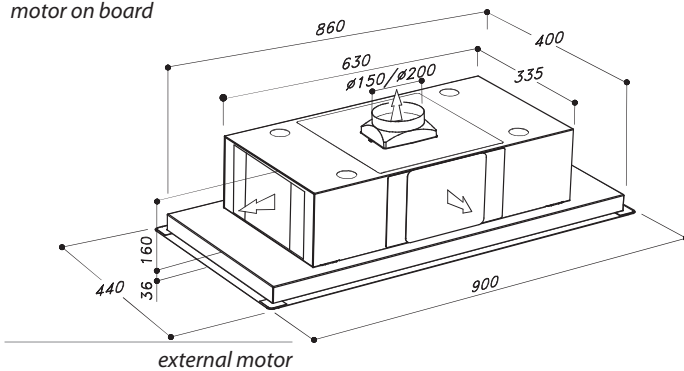


SLT 958 WHITE  
 painted stainless steel  
 white glass



motor on board

h200 version



external motor

SLT 958 WHITE/INOX

**note on board motor**

- For the installation create a false ceiling with a niche of 865mm x 405mm whose minimum height to be reached is 330mm and 210 mm (h200 version)

**note external motor**

- For the installation create a false ceiling with a niche of 865mm x 405mm whose minimum height to be reached is 270mm  
 - The motor is not included in the external motor version. See p. 124-125

Product	Motor	Model Identifier	EEC
SLT958	on-board	C958090RC1280137	A
SLT958 EM SEM1		C958090RC1290137	B
SLT958 EM SEM2		C958090RC1150137	B
h200 SLT958	on-board	C958090RC1240173	B
h200 BRH SLT958 EM	on-board	C958090RC1270173	B

energy label pag. 137

# SLT 958 WHITE / INOX



SLT 958 INOX

remote control / on board motor / external motor / led strip / anodized aluminum filter / dimmer light

DESIGN SIRIUS

stainless steel



# SLT 951



remote control / external motor / dichroic lamp / anodized aluminum filter

DESIGN SIRIUS

stainless steel

*“The larger the island  
of knowledge,  
the longer the shoreline  
of wonder.”*

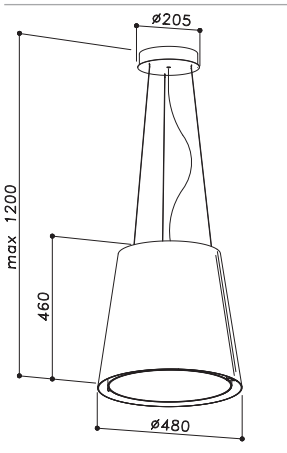
Ralph W. Sockman

# DECORATIVE ISLAND





SILT 28 LAMP  
lighting: round neon 40W



---

motor: 550 m3 h  
absorption: 230 W  
noise level: 63 dBA  
lighting: round neon 40W

---

# ROLL SILT 28



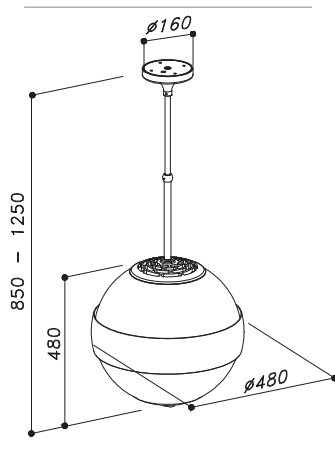
remote control / on board motor / round neon / round neon / anodized aluminum filter / only filtering version / perimetral suction

DESIGN GIACOMO FAVA

**painted stainless steel**  
gold / copper / white / black



SILT 18 L



---

SILT 18

motor: 550 m3 h  
absorption: 135 W  
noise level: 50 dBA  
lighting: 1 led x 3W

SILT 18 L

motor: 550 m3 h  
absorption: 135 W  
noise level: 50 dBA  
lighting: neon 2 x 40W

---

# SILT 18 | SILT 18 L



SILT 18

DESIGN SIRIUS

chromed stainless steel / fiberglass  
black / light

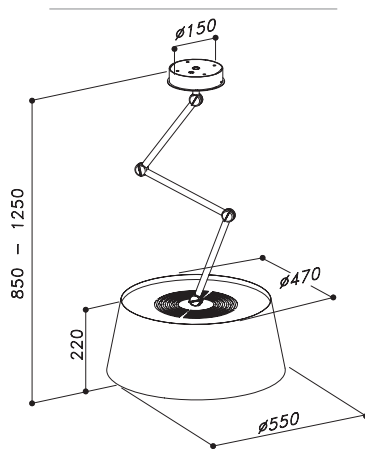
remote control / on board motor / led spot (SILT 18) / round neon (SILT 18L) / anodized aluminum filter / only filtering version

# SILT 21



DESIGN SIRIUS

remote control / on board motor / led spot / anodized aluminium filter

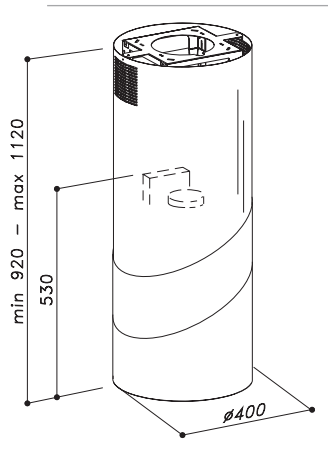


motor: 550 m3 h  
absorption: 135 W  
noise level: 50 dBA  
lighting: 4 leds x 1,2W

# MO 406



DESIGN SIRIUS



product dim. motor model identifier EEI  
MO406 on-board I406040RC1280857 B

energy label pag. 134

remote control / on board motor / round neon / anodized aluminum filter / perimetral suction

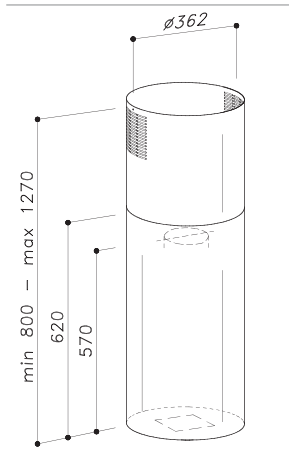
stainless steel / polished stainless steel  
stainless steel / black

# MO 404



DESIGN SIRIUS

remote control / on board motor / led spot / anodized aluminum filter



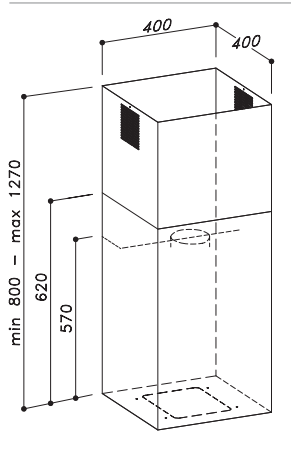
product dim. motor model identifier EEC  
MO404 on-board I404036RC1282604 A  
energy label pag. 137



# MO 405



DESIGN SIRIUS



product dim. motor model identifier EEC  
MO405 on-board I405040RC1282604 A  
*energy label pag. 137*

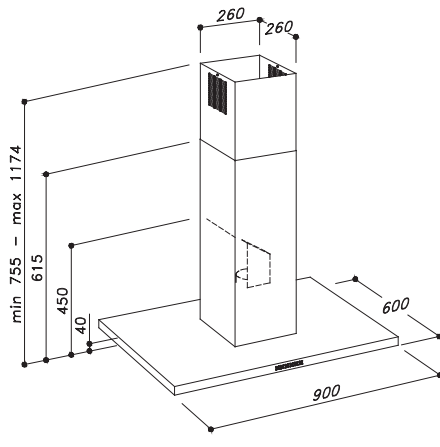
remote control / on board motor / led spot / anodized aluminum filter

# SIL 24 TC



DESIGN SIRIUS

touch control / on board motor / led strip / anodized aluminum filter

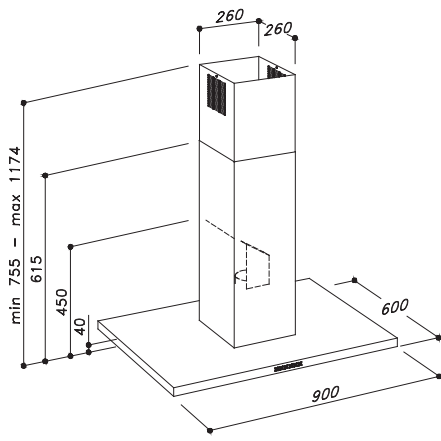


product dim. motor model identifier EEC  
SIL 24 TC 900 on-board I024090TC1280137 A  
energy label pag. 137

# SIL 24



DESIGN SIRIUS



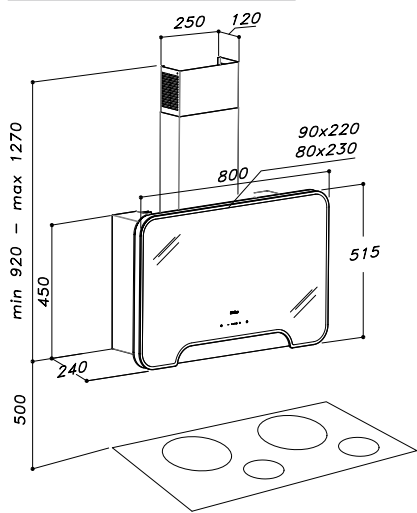
product dim. motor model identifier EEC  
SIL 24 900 on-board I024090PB1280137 A  
energy label pag. 137

chromed push-button / on board motor / led strip / anodized aluminum filter

*“A noble soul is not the one that can manage the highest flights, but the one that rises very little and falls very little but always dwells in a free, resplendent atmosphere and altitude.”*

Friedrich Nietzsche

# WALL HOODS



product dim. motor model identifier EEC  
 SLTC111 800 on-board P111080TC1240237 A  
 energy label pag. 137

# FLAT SLTC 111

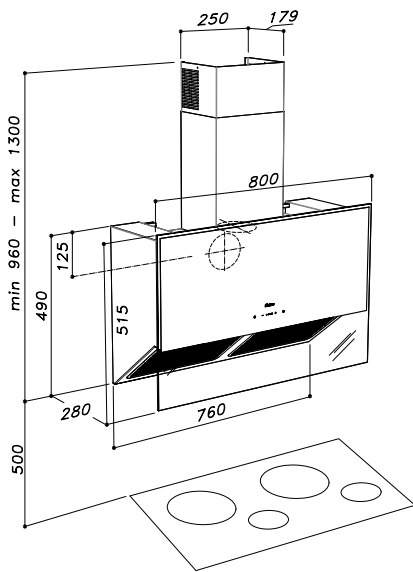
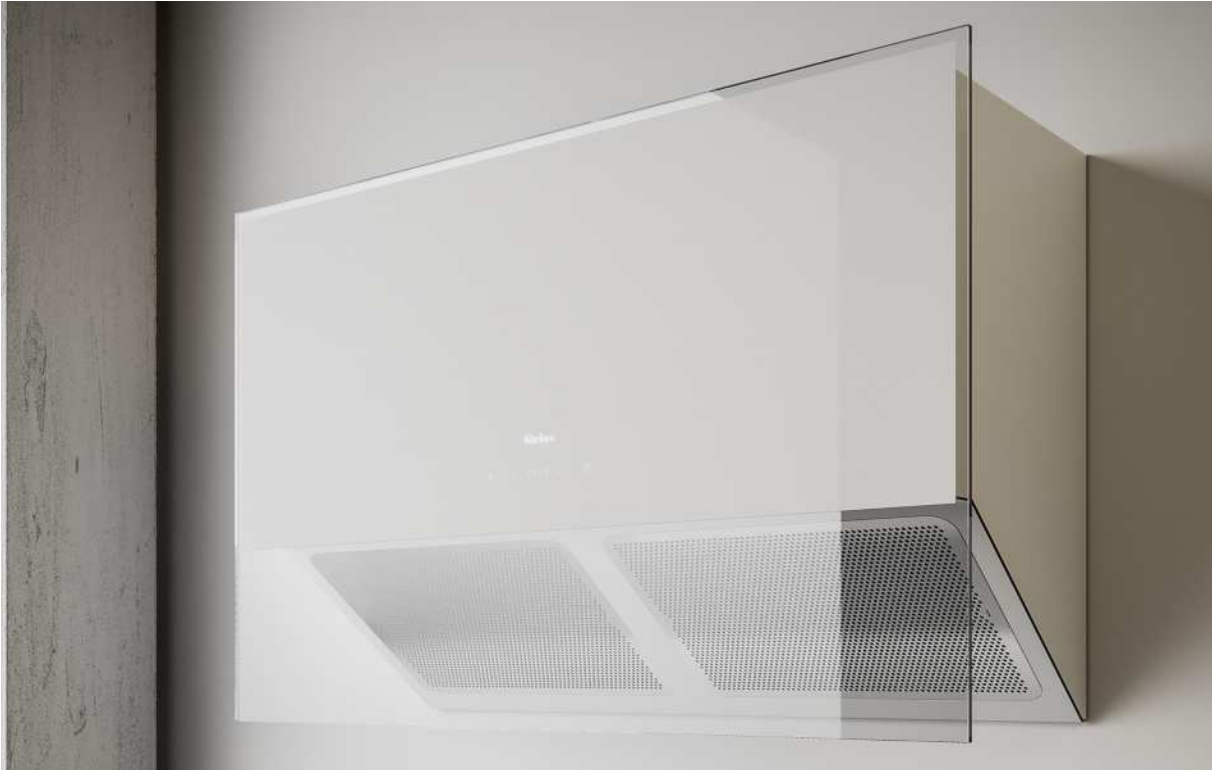


touch control / on board motor / led strip / anodized aluminum filter

DESIGN GIACOMO FAVA

stainless steel / glass  
white / black





product dim. motor model identifier EEC  
 SLTC110 800 on-board P110080TC1280239 A+  
 energy label pag. 137

# TECH SLTC 110



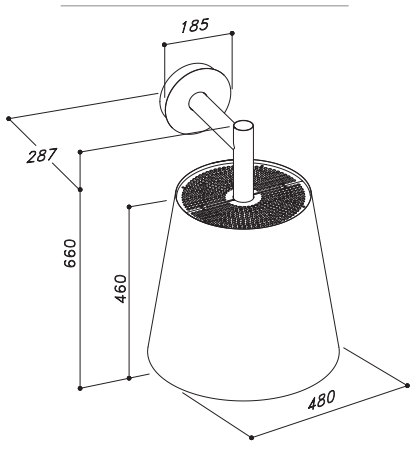
touch control / on board motor / led strip / polished stainless steel and anodized aluminum filters

DESIGN GIACOMO FAVA

painted stainless steel / glass  
white / black



Chromed bracket



---

motor: 550 m3 h  
absorption: 230 W  
noise level: 63 dBA  
lighting: round neon 40W

---

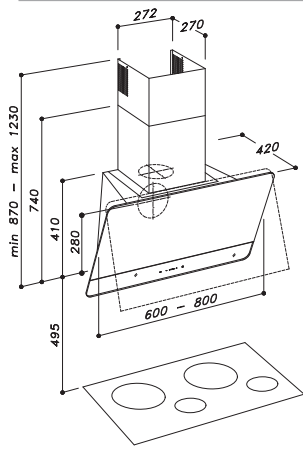
# APPLIQUE SLT 105



remote control / on board motor / round neon / round neon / anodized aluminum filter / only filtering version / perimetral suction

DESIGN GIACOMO FAVA

**painting stainless steel**  
gold / copper / white / black



product	dim.	motor	model identifier	EEC
SLTC93 60	600	on-board	P093060TC1280122 A	
SLTC93 90	800	on-board	P093080TC1280122 A	

*energy label pag. 137*

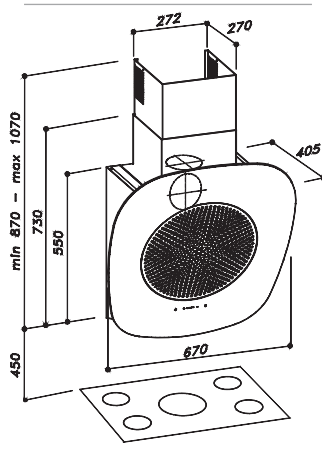
# SKINNY SLTC 93



touch control / on board motor / led strip / anodized aluminum filter / top or back vented

DESIGN GIACOMO FAVA

**stainless steel / glass**  
silver / gold / black



product dim. motor model identifier EEC  
 SLTC95 670 on-board P095067TC1280118 A  
 energy label pag. 137



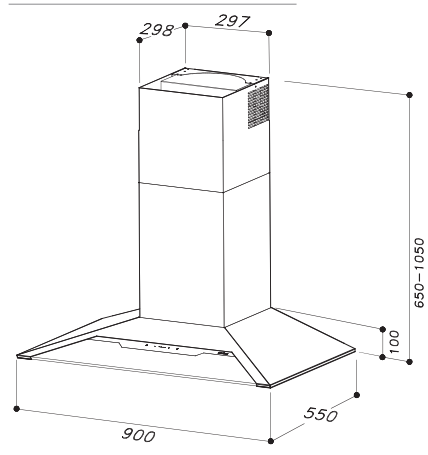
# TAKSIM SLTC 95



touch control / on board motor / led strip / anodized aluminum filter / top or back vented

DESIGN GIACOMO FAVA

stainless steel / glass  
white / black



product dim. motor model identifier EEC  
SLTC97 900 on-board P097090TC1280102 A  
energy label pag. 137

# JEEG SLTC 97



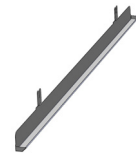
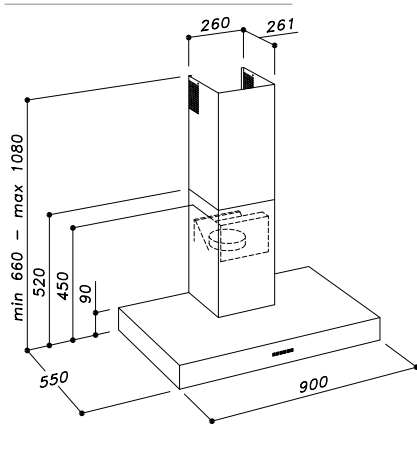
touch control / on board motor / led strip / stainless steel / anodized aluminum filter / top or back vented

DESIGN GIACOMO FAVA

painting stainless steel / smoked glass  
white / black



SL 107  
stainless steel



oil collector

product	dim.	motor	model identifier	EEC
SLTC107	900	on-board	P107090TC1280144	A
SL107	900	on-board	P107090PB1280144	A

energy label pag. 137

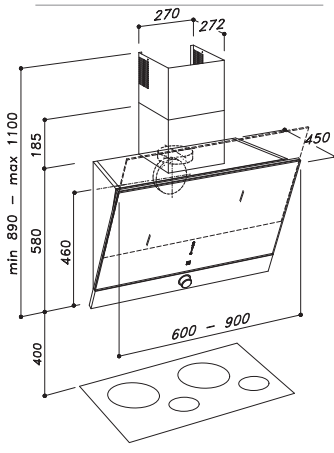
# SLTC 107



touch control (SLTC) / chromed push-button (SL) / on board motor / led strip / commercial style baffle filters SS304 / top or back vented

DESIGN SIRIUS

stainless steel / glass  
white / black



**note**  
 - The front panel opens automatically according to the speed selected.  
 - This hood is equipped with anti-crushing safety system.

product	dim.	motor	model identifier	EEC
SLTR 75 (60)	600	on-board	P075060RB1010121	B
SLTR 75 (90)	900	on-board	P075090RB1280220	A+

energy label pag. 137

# SLTR 75



round knob / on board motor / led strip / anodized aluminum filter / top or back vented

DESIGN SIRIUS

polished stainless steel / black glass

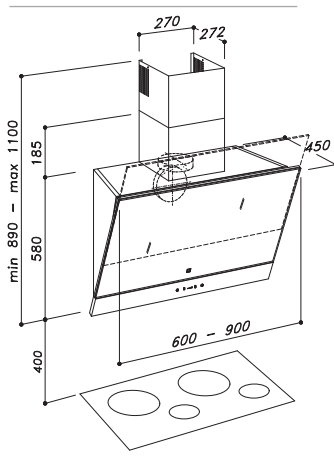


# SLTC 75

touch control / on board motor / led strip / anodized aluminum filter / top or back vented



DESIGN SIRIUS



## note

- The front panel opens automatically according to the speed selected.
- This hood is equipped with anti-crushing safety system

product	dim. motor	model identifier	EEC
SLTC 75 (60)	600 on-board	P075060TC1010121	B
SLTC 75 (90)	900 on-board	P075090TC1280220	A+

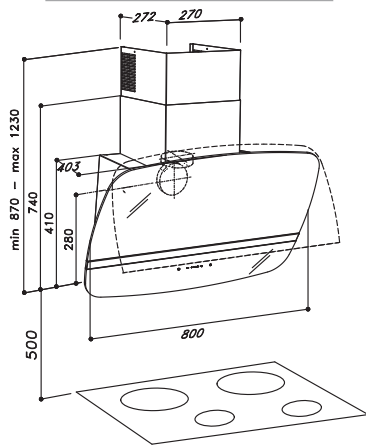
energy label pag. 137



# SLTC 91



DESIGN SIRIUS



product dim. motor model identifier EEC  
SLTC91 80 800 on-board P091080TC1280122 A  
energy label pag. 137

touch control / on board motor / led strip / anodized aluminum filter / top or back vented

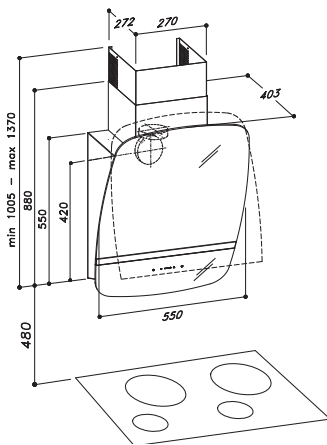
stainless steel painted / glass  
white / black

# SLTC 90



DESIGN SIRIUS

touch control / on board motor / led strip / anodized aluminum filter / top or back vented

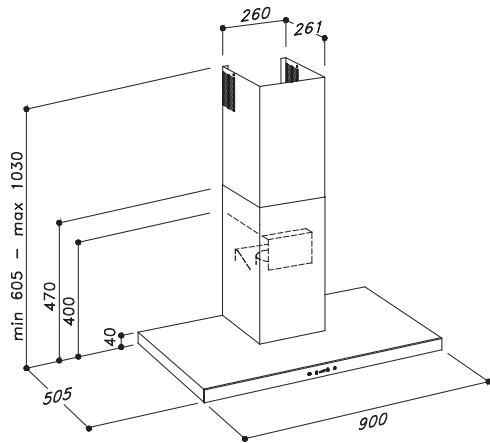


product dim. motor model identifier EEC  
SLTC90 55 550 on-board P090055TC1280113 A  
energy label pag. 137

# SL 92



DESIGN SIRIUS



product dim. motor model identifier EEC  
SL92 900 on-board P092090PB1280137 A  
energy label pag. 137

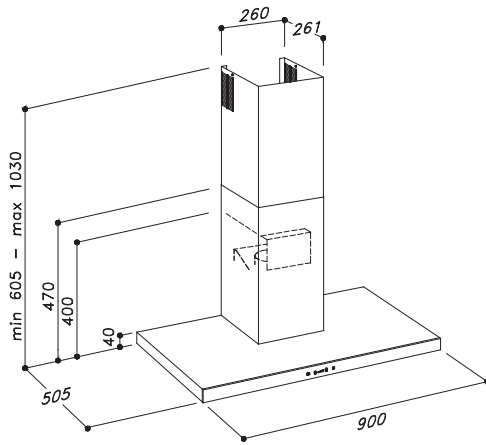
chromed push-button / on board motor / led strip / anodized aluminum filter

# SLTC 92



DESIGN SIRIUS

touch control / on board motor / led strip / anodized aluminum filter

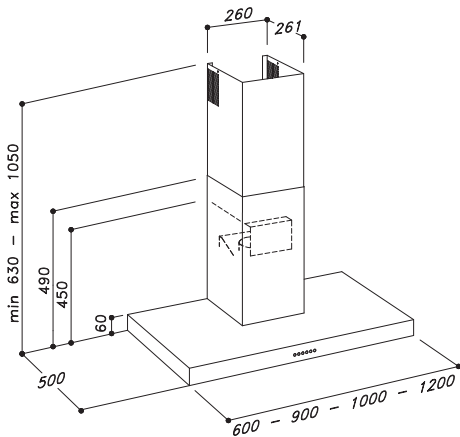


product dim. motor model identifier EEC  
SLTC92 900 on-board P092090TC1280137 A  
energy label pag. 137

# SL 31



DESIGN SIRIUS



product	dim.	motor	model identifier	EEC
SL 31	600	on-board	P031060PB1280637 A	
SL 31	900	on-board	P031090PB1280637 A	
SL 31	1000	on-board	P031100PB1280637 A	
SL 31	1200	on-board	P031120PB1280637 A	
SL 31-EM 900	900	SEM1	P031090PB1290637 A	
SL 31-EM 900	900	SEM2	P031090PB1150637 B	

energy label pag. 137

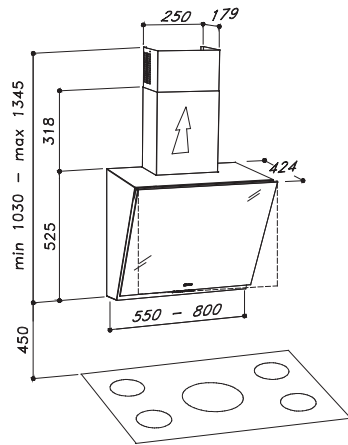
chromed push-button / external motor / on board motor / led spot / anodized aluminum filter

# SL 89



DESIGN SIRIUS

chromed push-button / on board motor / led spot / anodized aluminum filter



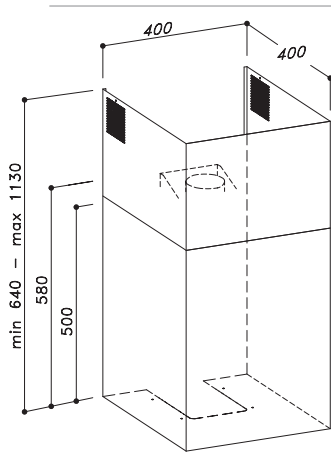
product	dim.	motor	model identifier	EEC
SL89 55	550	on-board	P089055PB1280542	A
SL89 80	800	on-board	P089080PB1280542	A

energy label pag. 137

# MO 207



DESIGN SIRIUS



product dim. motor model identifier EEC  
MO207 on-board P207040RC1282604 A  
*energy label pag. 137*

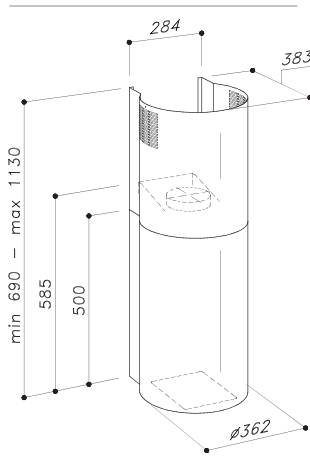
remote control / on board motor / led spot / anodized aluminum filter

# MO 208



DESIGN SIRIUS

remote control / on board motor / led spot / anodized aluminum filter



product dim. motor model identifier EEC  
MO208 on-board P208036RC1282604 A  
energy label pag. 137

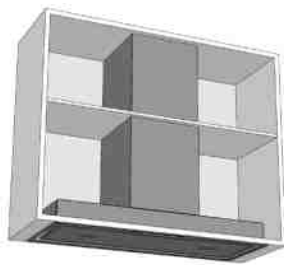
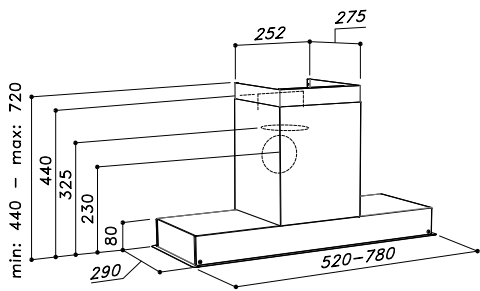




*“And above all, watch with glittering eyes the whole world around you because the greatest secrets are always hidden in the most unlikely places. Those who don’t believe in magic will never find it.”*

Roald Dahl

# BUILT-IN PRODUCTS



**note**

- Cut out for 520: 500 x 270mm
- Cut out for 780: 760 x 270mm

product	dim. motor	model identifier	EEC
SL921	520 on-board	G921052PB1283641	A
SL921	780 on-board	G921078PB1283641	A

energy label pag. 137

# SL 921

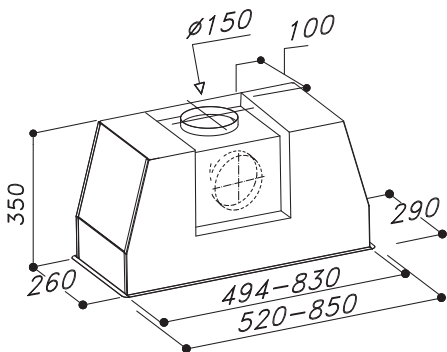


chromed push-button / on board motor / led spot / anodized aluminium filter / top or back vented

DESIGN SIRIUS

painted stainless steel / glass  
white

BUILT-IN PRODUCTS | 113



**note**

- Cut out for 520: 265 x 498mm
- Cut out for 850: 265 x 835mm

product	dim.	motor	model identifier	EEC
SLTC 919 520	on-board	G919052TC1280166	A	
SLTC 919 850	on-board	G919085TC1280267	A+	

energy label pag. 137

# WING SLTC 919



touch control / on board motor / led strip / anodized aluminum filter / top or back vented

DESIGN GIACOMO FAVA

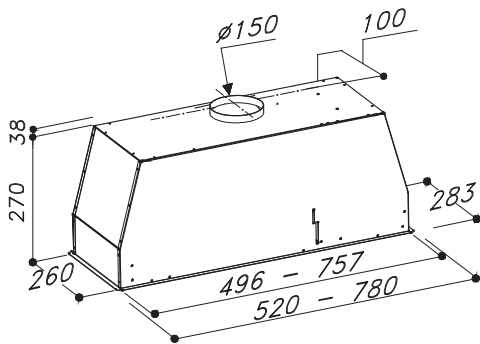
stainless steel / glass panel

# SL 913



DESIGN SIRIUS

chromed push-button / on board motor / Led strip / anodized aluminum filter



**note**

- Cut out for 520: 265 x 502mm
- Cut out for 780: 265 x 764mm

product	dim.	motor	model identifier	EEC
SL 913	520	on-board	G913052PB1280127	A
SL 913	780	on-board	G913078PB1280227	A

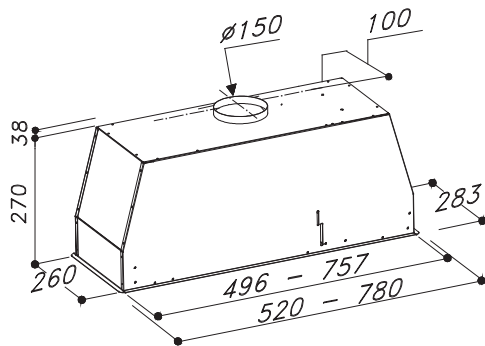
energy label pag. 137



# SL 914



DESIGN SIRIUS



**note**

- Cut out for 520: 265 x 502mm
- Cut out for 780: 265 x 764mm

product	dim.	motor	model identifier	EEC
SL 914	520	on-board	G914052PB1280529	A
SL 914	780	on-board	G914078PB1280524	A

energy label pag. 137

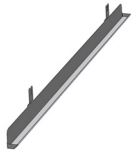
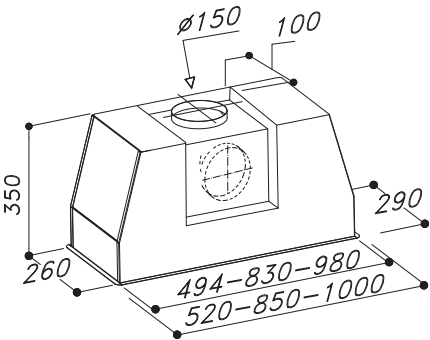
chromed push-button / on board motor / led spot / anodized aluminum filter

# SL 906-L

chromed push-button / on board motor / led strip / commercial style baffle filters SS304 / top or back vented



DESIGN SIRIUS



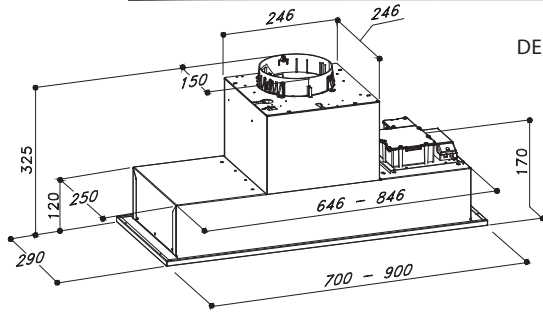
oil collector

- note**
- Cut out for 520: 265 x 498mm
  - Cut out for 850: 265 x 835mm
  - Cut out for 1000: 265 x 985mm

product	dim.	motor	model identifier	EEC
SL 906-L	520	on-board	G906052PB1280152	A
SL 906-L	850	on-board	G906085PB1280253	A
SL 906-L	1000	on-board	G906100PB1280349	A

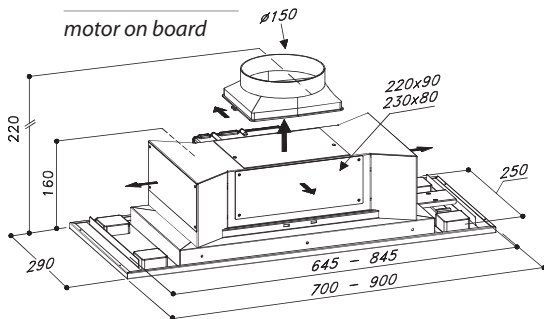
energy label pag. 137

# SL 903-P



DESIGN SIRIUS

**note**  
 - Cut out for 700: 255 x 649 mm  
 - Cut out For 900: 255 x 849 mm



product	dim. motor	model identifier	EEC
SL 903-P	700 on-board	G903070PB1280541	A
SL 903-P-EM	700 SEM1	G903070PB1290541	B
SL 903-P-EM	700 SEM2	G903070PB1150541	C
SL 903-P	900 on-board	G903090PB1280541	A
SL 903-P-EM	900 SEM1	G903090PB1290541	B
SL 903-P-EM	900 SEM2	G903090PB1150541	C

energy label pag. 137

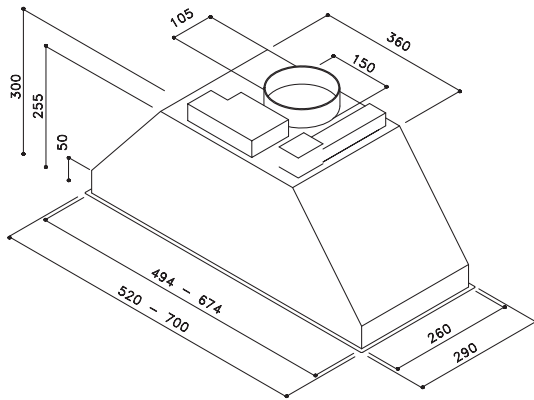
chromed push-button / on board motor / external motor / led spot / anodized aluminum filter / perimetral suction

# SL - SLT - SM 900

push-button (SM 900 - SL 900) / remote control (SLT 900) / on board motor / led spot / anodized aluminum filter



DESIGN SIRIUS



**note**

- Cut out for 520: 495 x 272mm
- Cut out for 700: 675 x 272mm

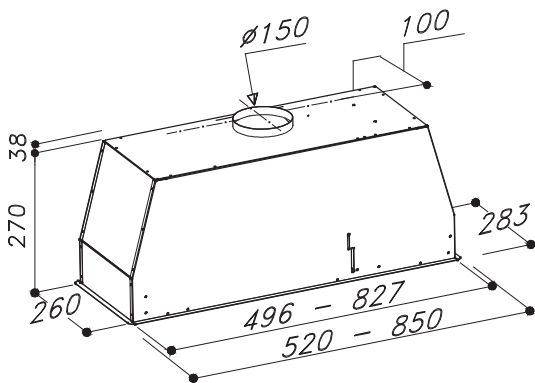
product	dim.	motor	model identifier	EEC
SM 900	520	on-board	G900052PB1010657	B
SM 900	700	on-board	G900070PB1010657	B
SL 900	520	on-board	G900052PB1280657	A
SL 900	700	on-board	G900070PB1280657	A
SLT 900	520	on-board	G900052RC1280657	A
SLT 900	700	on-board	G900070RC1280657	A

energy label pag. 137

# SM 905



DESIGN SIRIUS



**note**

- Cut out for 520: 265 x 502mm
- Cut out for 850: 265 x 834mm

product	dim.	motor	model identifier	EEC
SM 905	520	on-board	G905052PB1010624	B
SM 905	850	on-board	G905085PB1010624	B

energy label pag. 137

push-button / on board motor / led spot / anodized aluminum filter

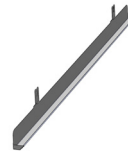
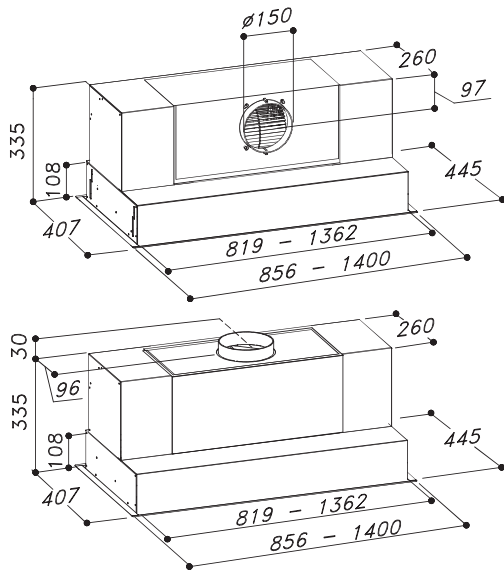


# SL 909



chromed push-button / on board motor / led spot / commercial style baffle filters SS304 / top or back vented

DESIGN SIRIUS



oil collector

**note**

- Cut out for 856: 825 x 410mm
- Cut out for 1400: 1365 x 410mm

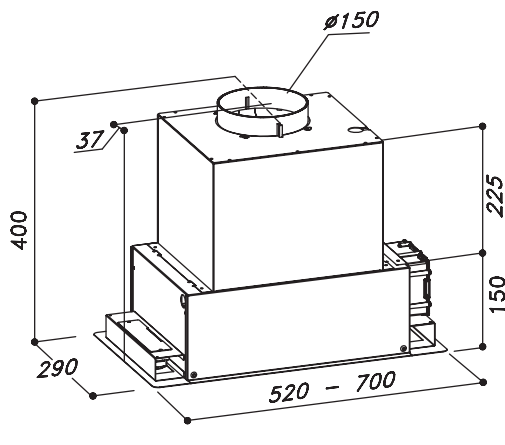
product	dim.	motor	model identifier	EEC
SL 909	856	on-board	G909086PB1282648	A
SL 909	1400	on-board	G909140PB1282648	A

energy label pag. 137

# SL 907



DESIGN SIRIUS



**note**

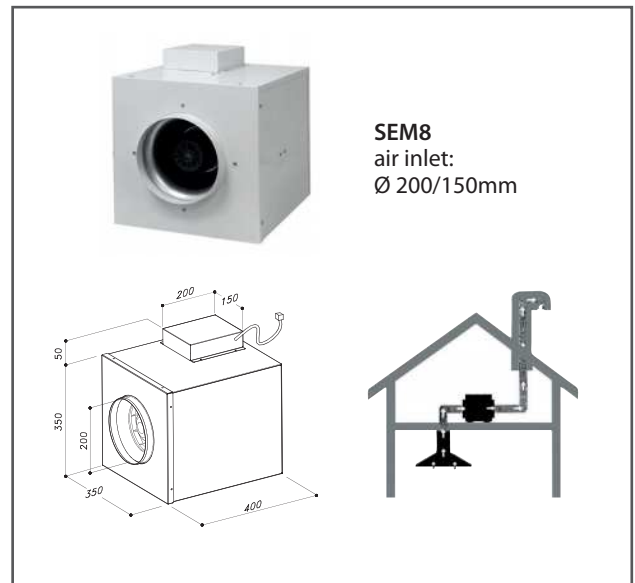
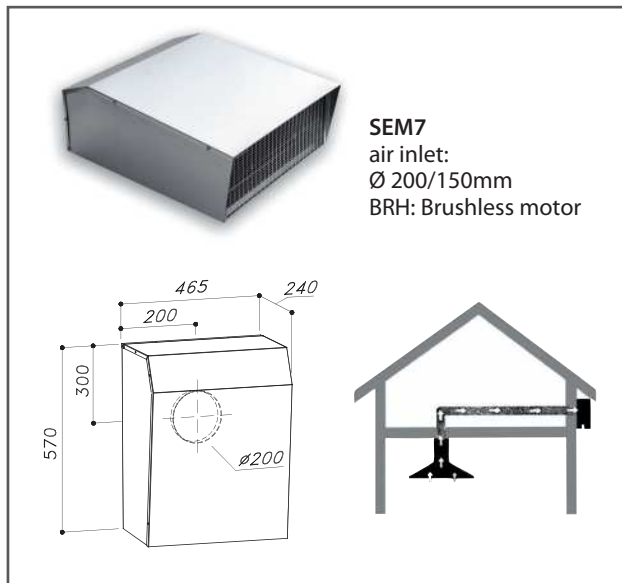
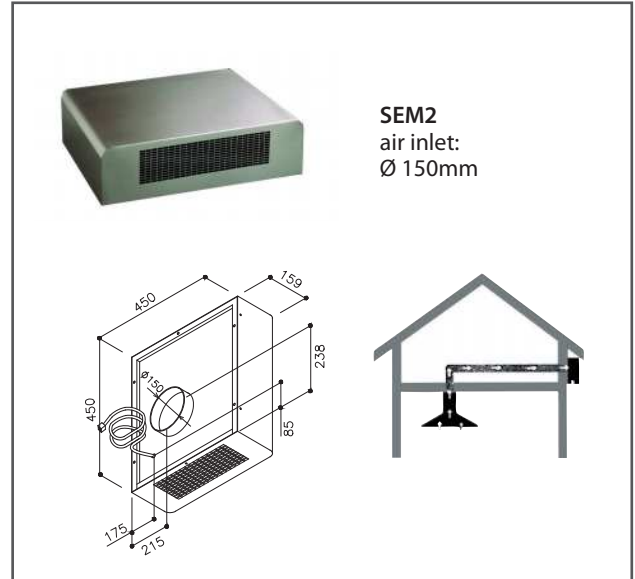
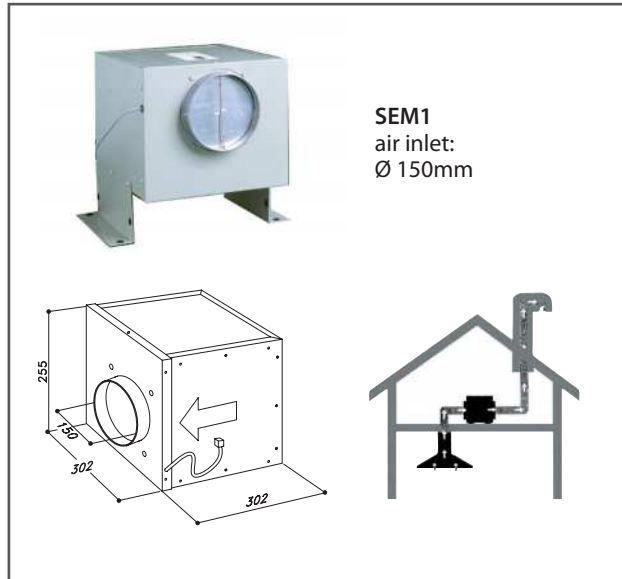
- Cut out for 520: 270 x 498mm
- Cut out for 700: 270 x 675mm

product	dim.	motor	model identifier	EEC
SL 907	520	on-board	G907052PB1281159	B
SL 907	700	on-board	G907070PB1281246	B

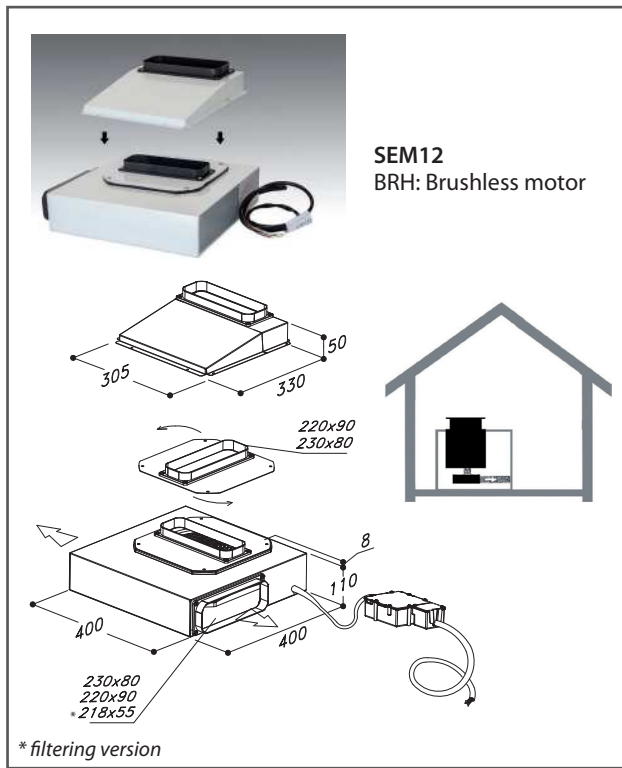
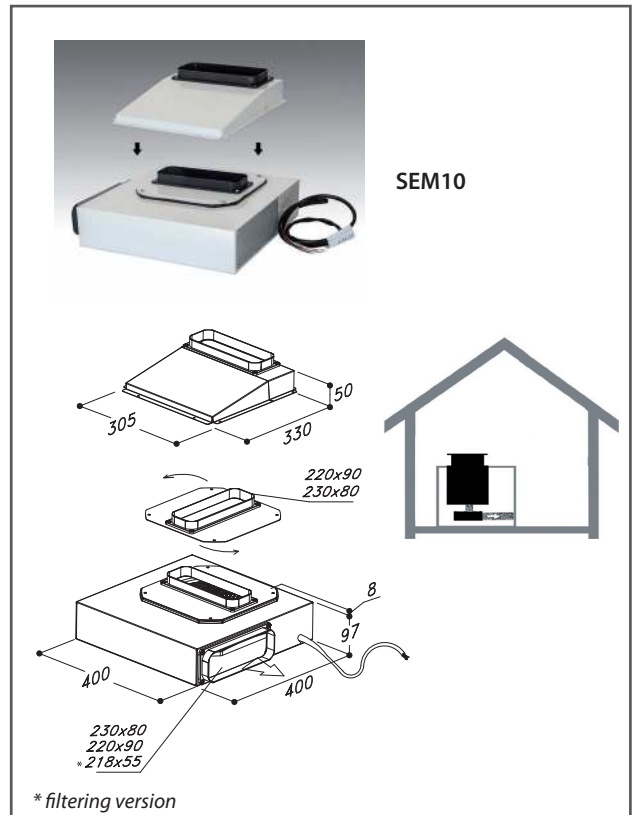
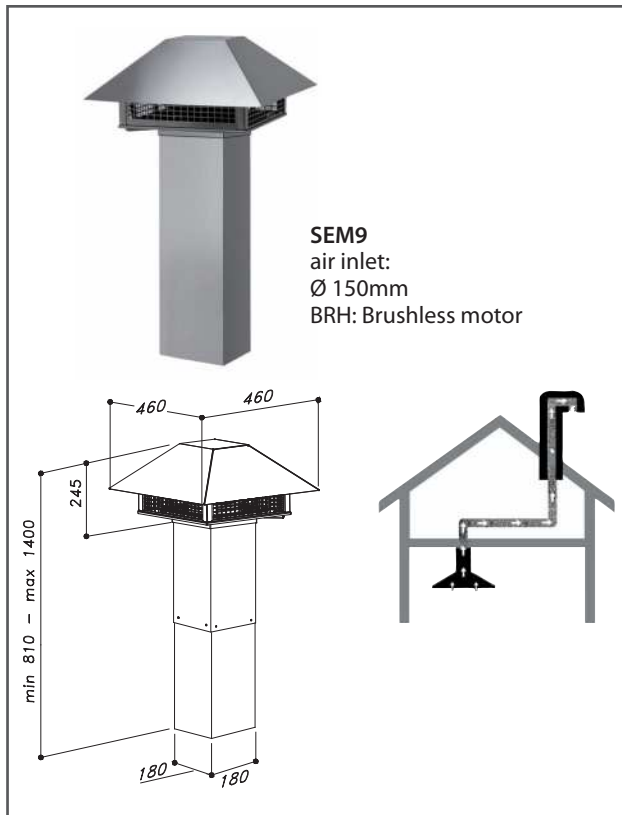
energy label pag. 137

chromed push button / on board motor / neon light / anodized aluminum filter / perimetral suction

# REMOTE MOTORS



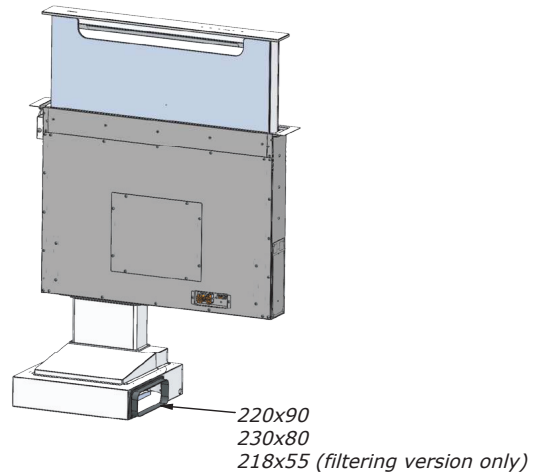
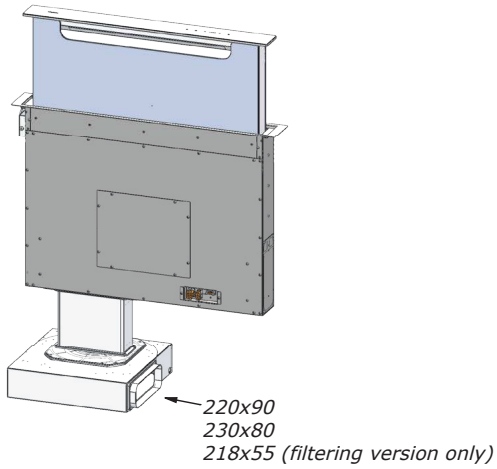
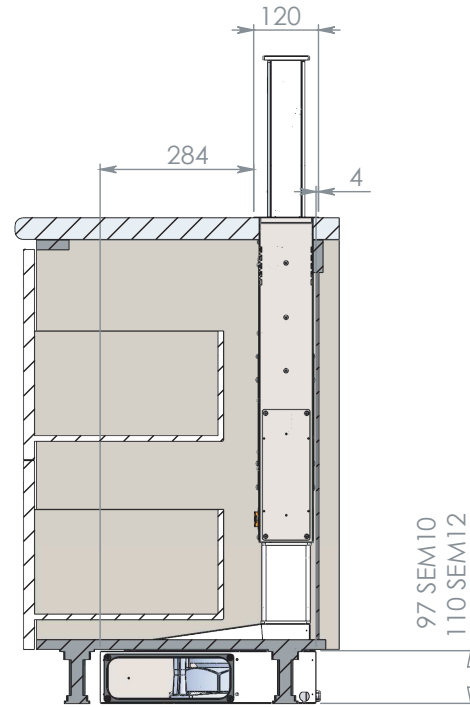
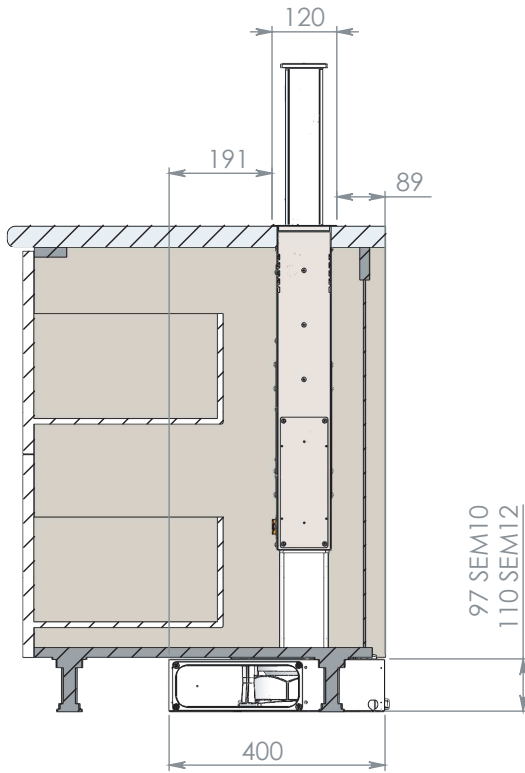




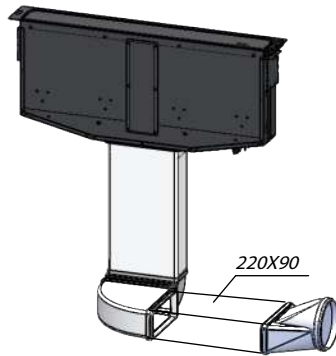
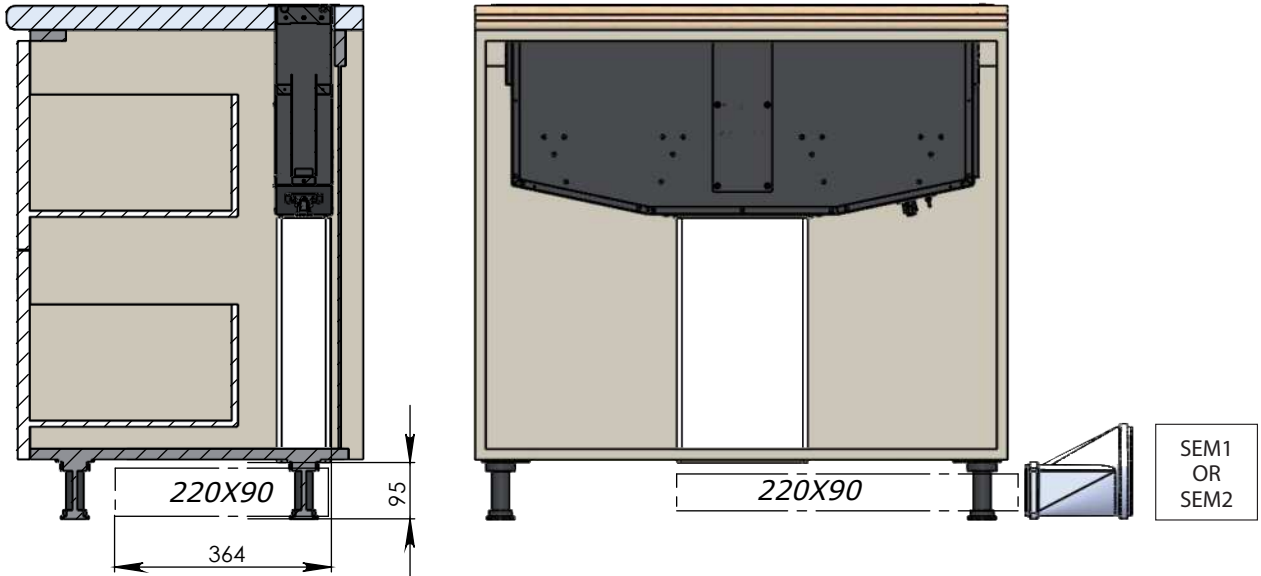
# INSTALLATION SCHEMES



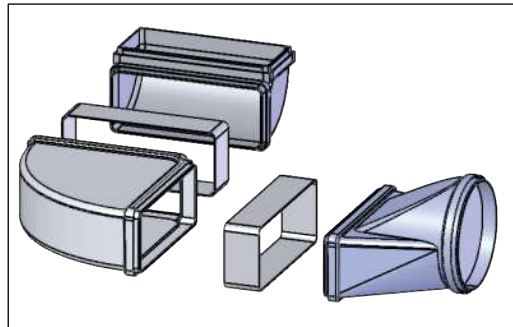
# SDD18 WITH SEM 10 - SEM 12



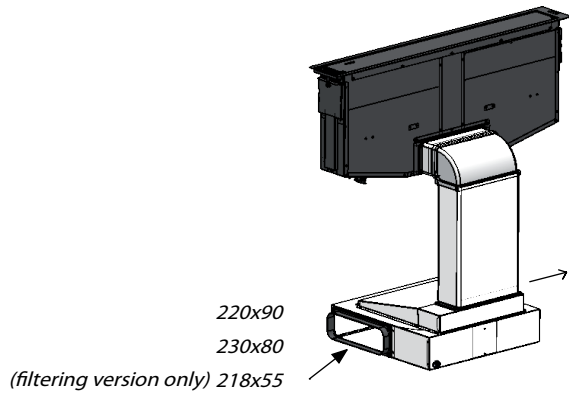
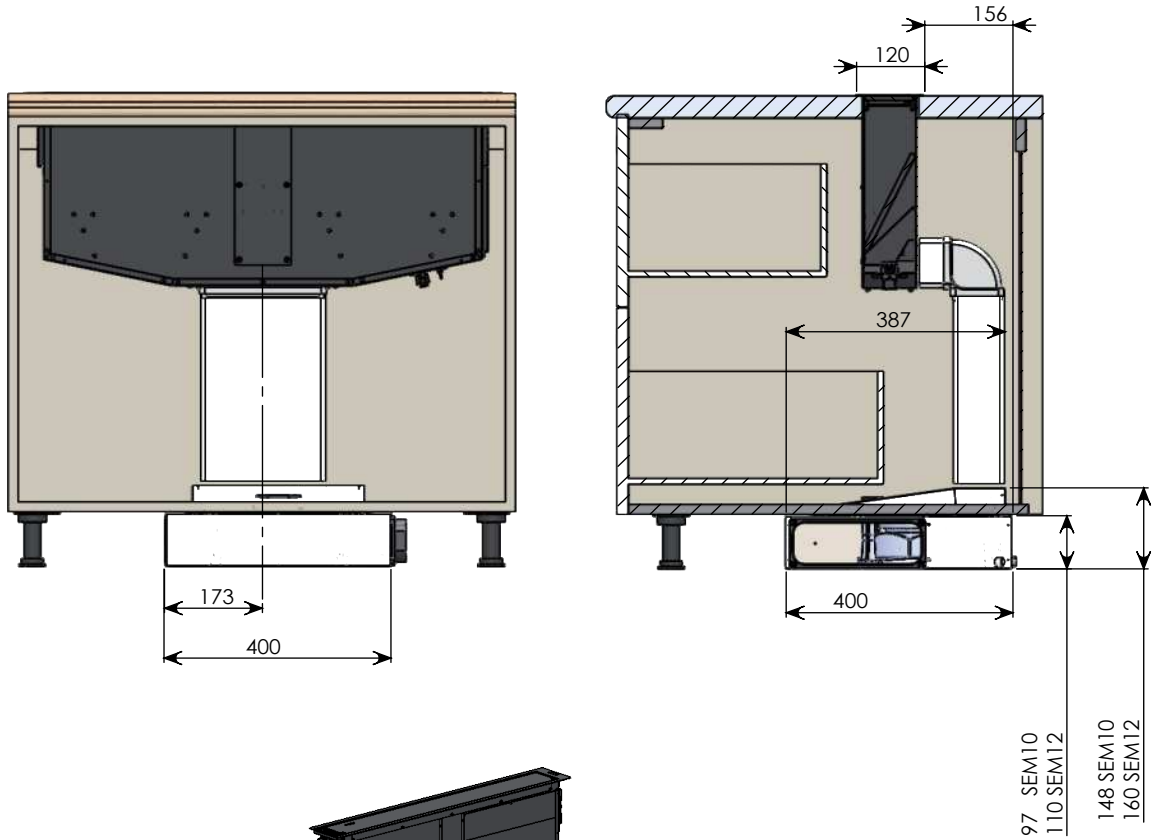
**S-DD16 WITH SEM1 OR SEM2 (ALSO BACK OUTLET VERSION)**  
(USING KIT INSTALLATION SDD16 WITH SEM1 OR SEM2)



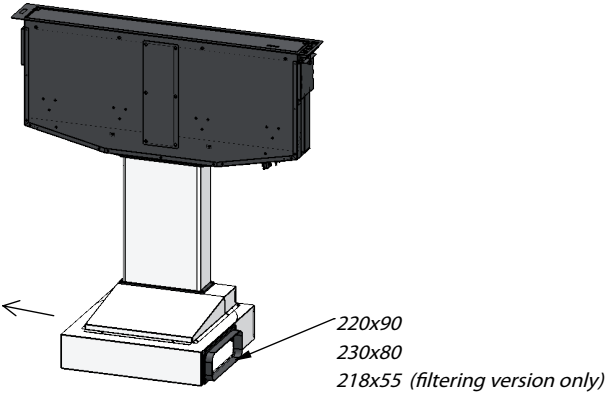
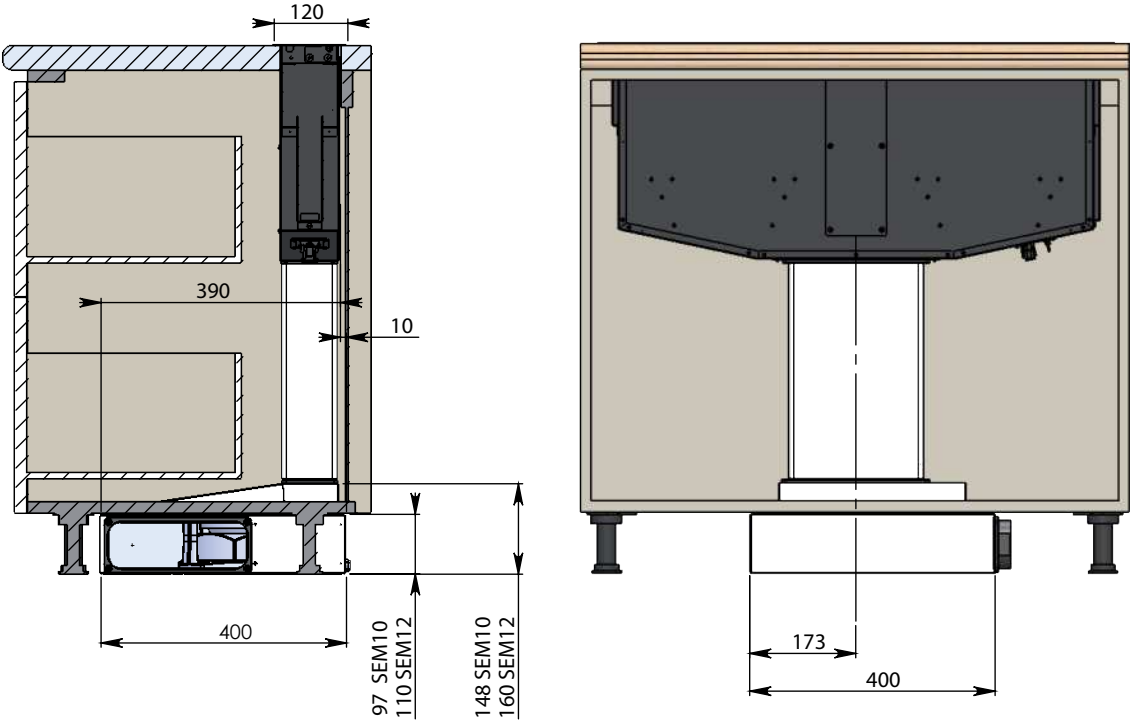
KIT INSTALLATION SDD16 WITH SEM1 OR SEM2



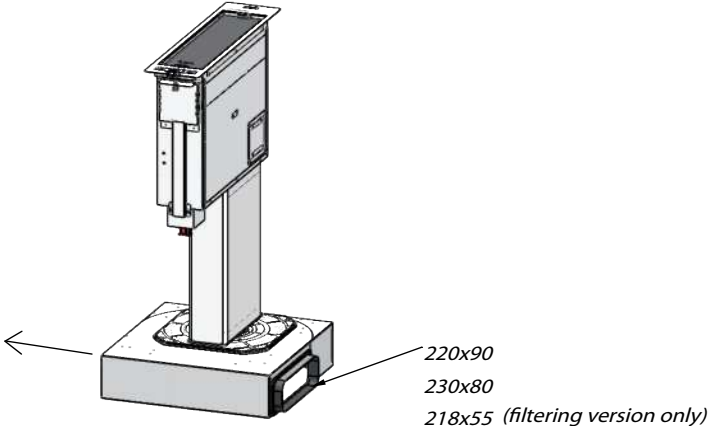
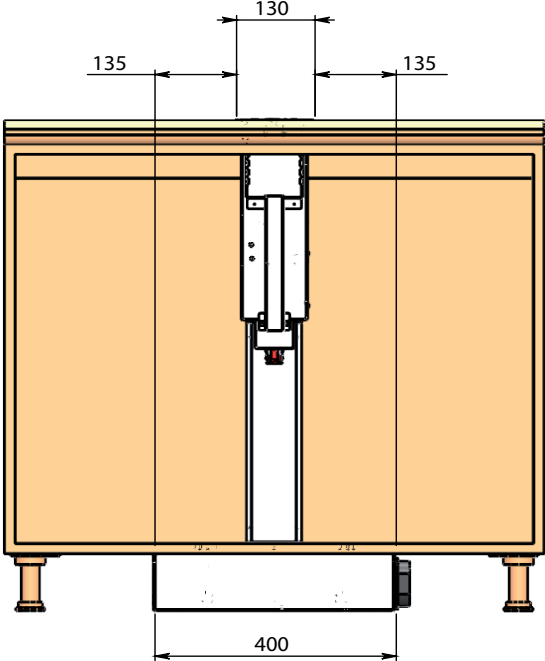
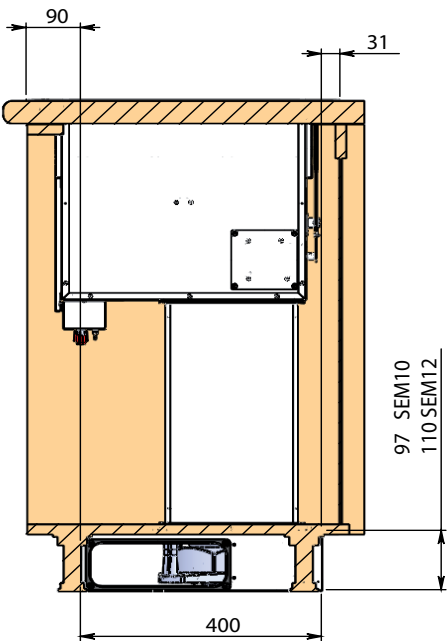
**S-DD16 (BACK OUTLET) WITH SEM10 - SEM12**



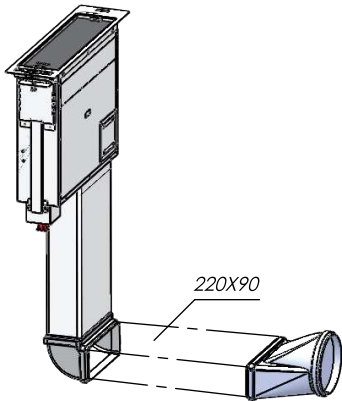
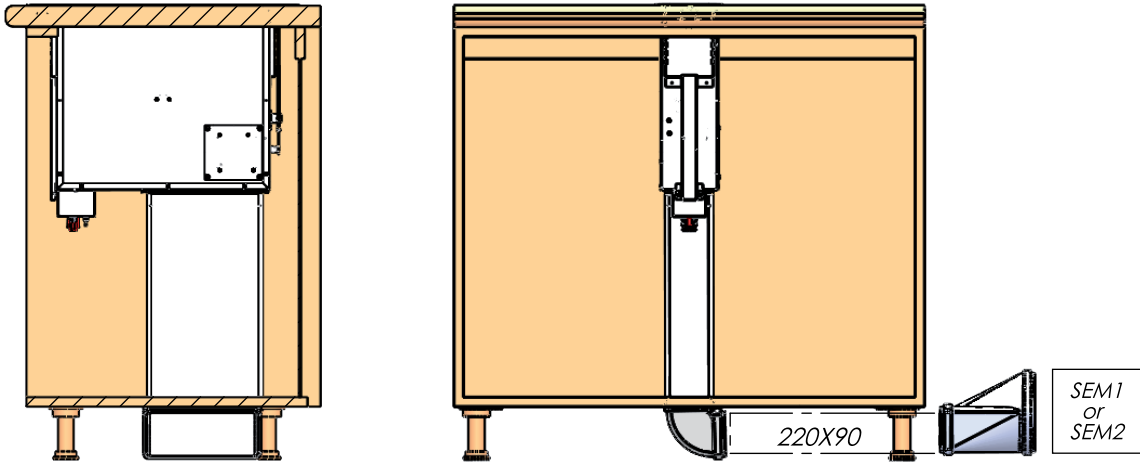
# S-DD16 WITH SEM10 - SEM12



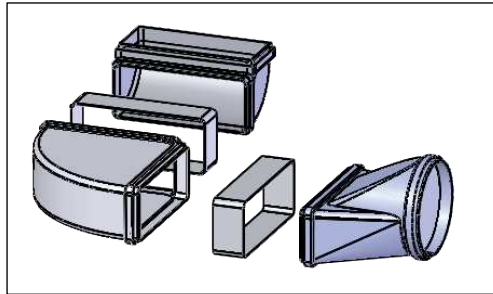
# S-DD17 WITH SEM10 - SEM12



**S-DD17 WITH SEM1 OR SEM2**  
(USING KIT INSTALLATION SEM1 OR SEM2)

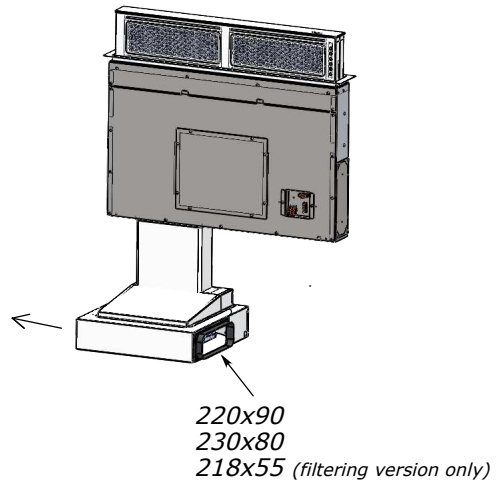
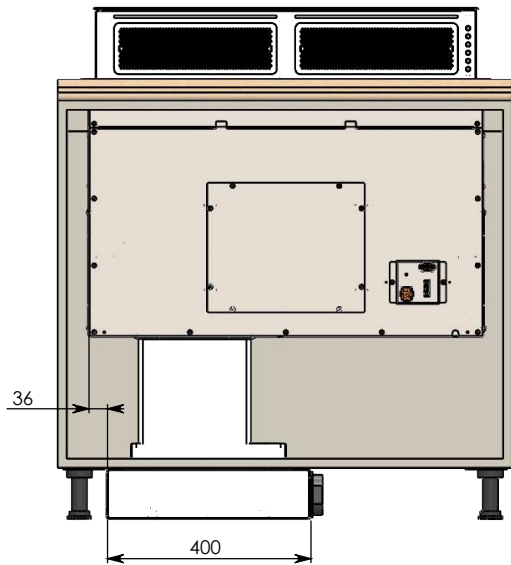
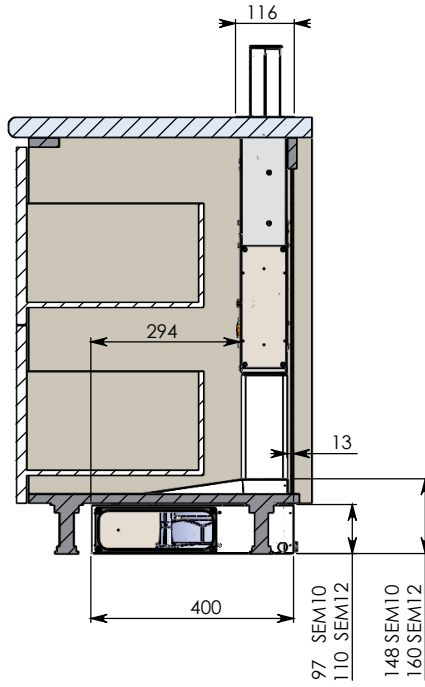
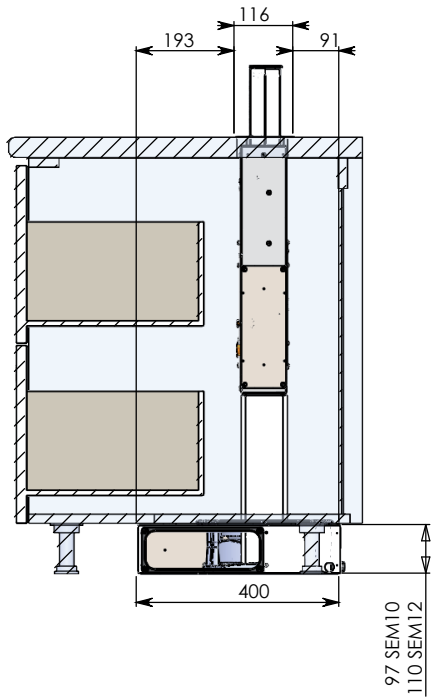


*KIT INSTALLATION SEM1 OR SEM2*



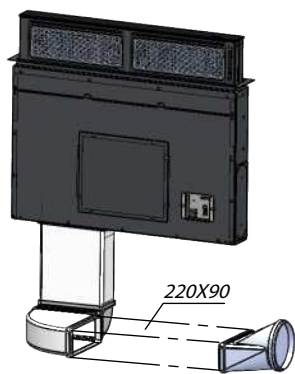
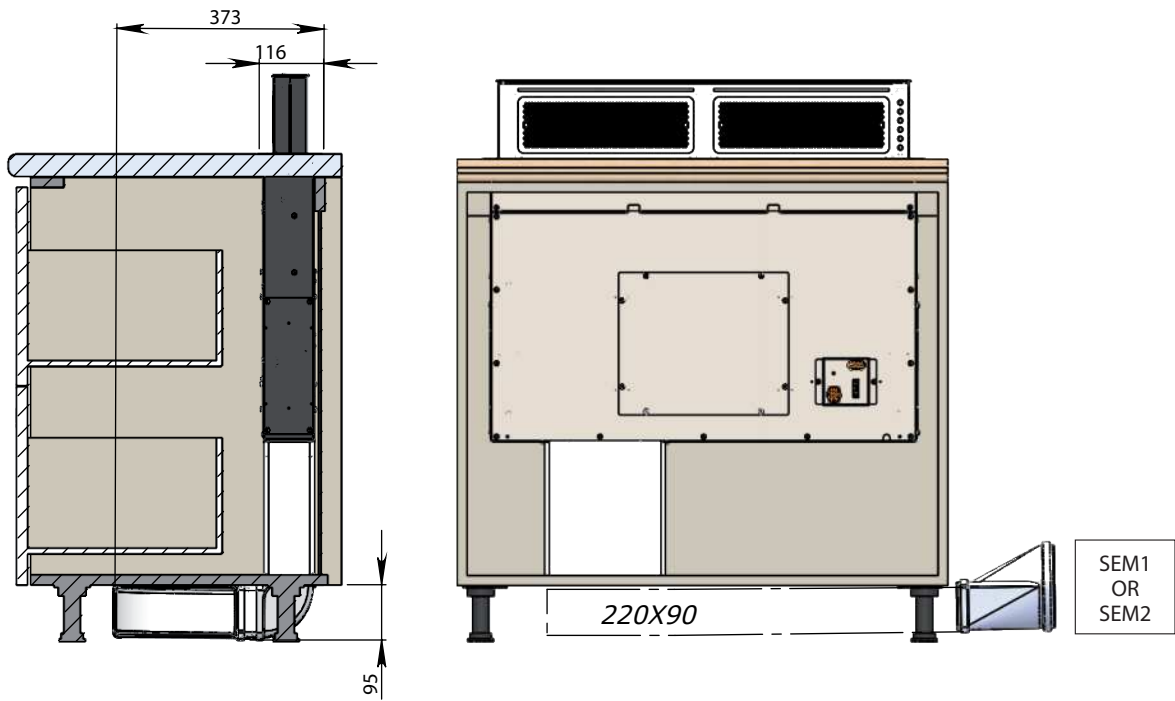


# S DD11 WITH SEM10 - SEM12

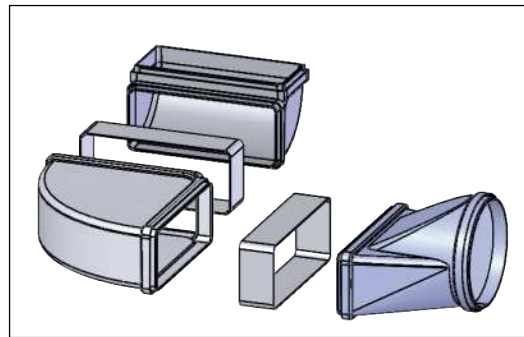


# S DD11 WITH SEM1 - SEM2

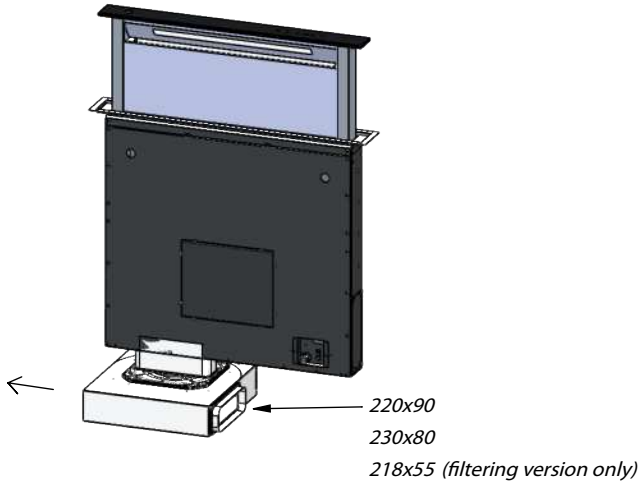
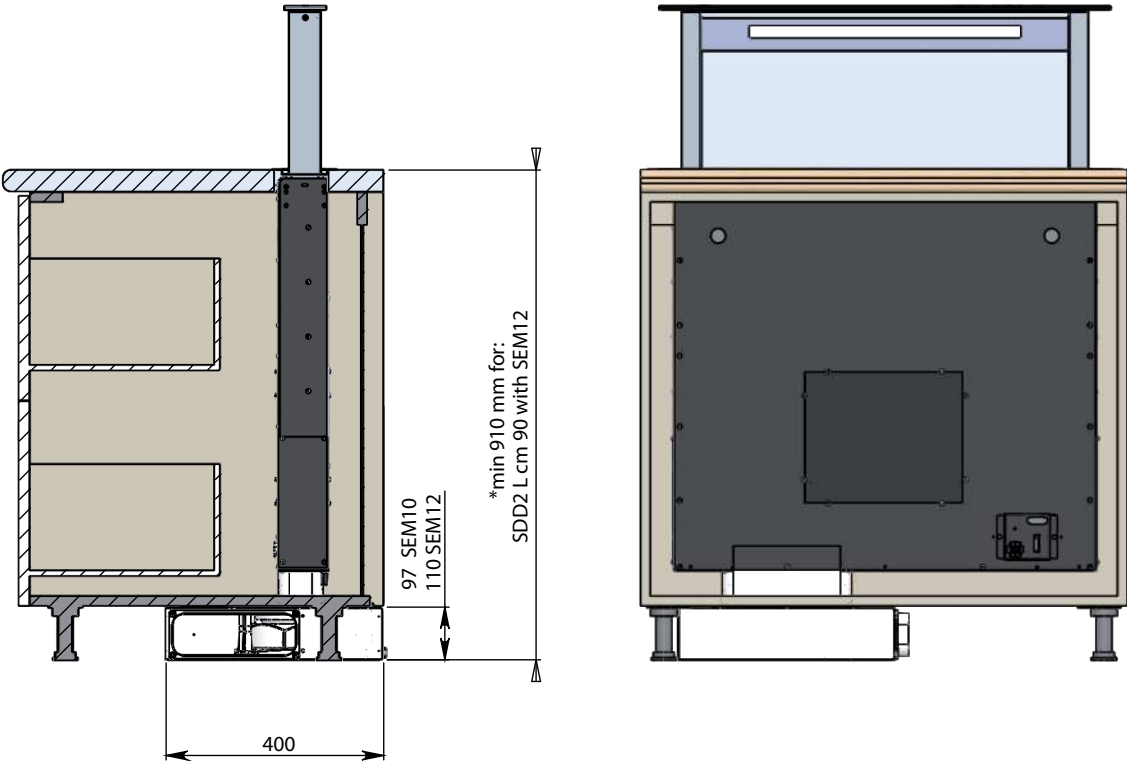
(USING KIT INSTALLATION SDD6 WITH SEM1 OR SEM2)

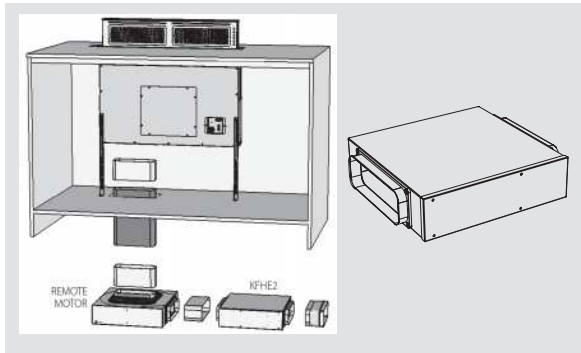


KIT INSTALLATION SDD16 WITH SEM1 OR SEM2

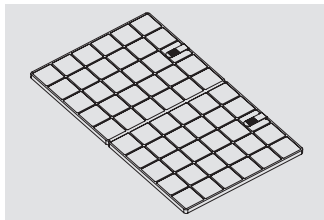


S DD2 - SDD2 L F.T. - S DD3 - S DD4 - S DD12 AND S DD13 WITH SEM10  
 SDD2 L F.T. CM 90 WITH SEM12\*

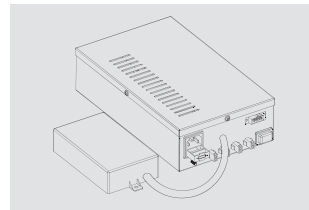




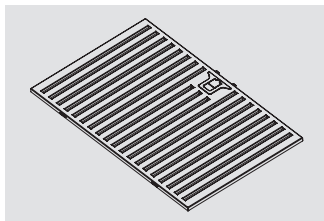
**KFHE2**  
 BASE FILTER  
 UNIT HIGH  
 EFFICIENCY  
 FOR DOWNDRAFT



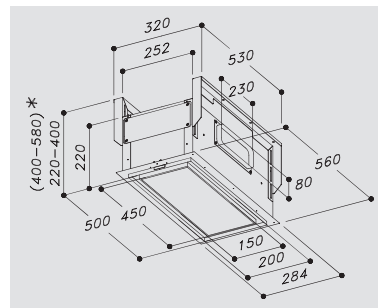
**KF**  
 Charcoal filters for  
 use with df when  
 recirculating



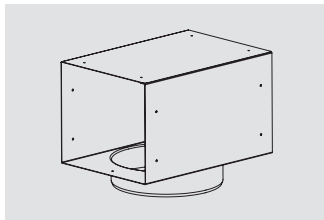
**SCET**  
 The remoter motor controller  
 enables to control the external  
 motors (SEM) Sirius in case of  
 special products, wooden made  
 hoods or ventilation systems  
 without using the finished  
 product.



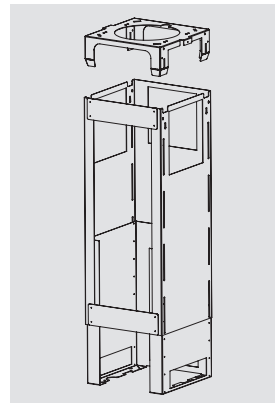
**LBR**  
 Stainless steel  
 baffle filter-  
 optional upgrade



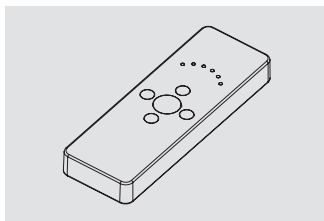
**S-DF2\*\***  
 AIR DEVIATOR FOR USE  
 WITH CEILING HOODS  
 WHEN RECIRCULATING  
 BUILT-IN VERSION  
 The air deviator needs  
 to be installed at a  
 minimum distance  
 of 1500mm from the  
 extractor



**DF**  
 (AIR DEVIATOR FOR  
 USE WITH KF WHEN  
 RECIRCULATING)



**ISLAND  
 FIXING  
 SYSTEM**  
 PATENTED



**REMOTE  
 CONTROL**  
 (optional)

\* Optional bracket kit  
 \*\*Cut out: create a niche of 502mm x 202mm  
 whose minimum height to be reached is 220mm.

# DOWNDRAFT UPRIGHT

Product name	Dim.	Motor	Model Identifier	Energy efficiency Class	Annual Energy Consumption	Fluid Dynamic Efficiency	Light Efficiency Class	Grease Filtering Efficiency Class	Weighted Sound Power Emission at maximum speed	Air Flow at intensive /boost setting	Lighting
				EEC	AEChood	FDE	LE	GFE	dB(A)	QMAX	W
SDD2 INOX	580	on-board	D002058PB128XX07	A	45,9	A	n/a	E	69	636	no
SDD2_EM INOX	580	SEM1	D002058PB129XX07	A	44,6	B	n/a	E	66	595	no
SDD2_EM INOX	580	SEM2	D002058PB115XX07	C	83	C	n/a	E	68	577	no
SDD2_EM INOX	580	SEM8	D002058PB117XX07	C	101,1	C	n/a	E	70	622	no
SDD2_EM INOX	580	SEM10	D002058PB130XX07	B	52,2	C	n/a	E	67	478	no
SDD2 INOX	875	on-board	D002088PB128XX05	A+	40,9	A	n/a	E	68	757	no
SDD2_EM INOX	875	SEM1	D002088PB129XX05	B	50,9	A	n/a	E	59	682	no
SDD2_EM INOX	875	SEM2	D002088PB115XX05	B	79,3	C	n/a	E	62	731	no
SDD2_EM INOX	875	SEM8	D002088PB117XX05	C	99	B	n/a	F	64	753	no
SDD2_EM INOX	875	SEM10	D002088PB130XX05	B	50,6	C	n/a	E	61	530	no
SDD2 TC	580	on-board	D002058TC128XX07	A	45,9	A	n/a	E	69	636	no
SDD2_EM TC	580	SEM1	D002058TC129XX07	A	44,6	B	n/a	E	66	595	no
SDD2_EM TC	580	SEM2	D002058TC115XX07	C	83	C	n/a	E	68	577	no
SDD2_EM TC	580	SEM8	D002058TC117XX07	C	101,1	C	n/a	E	70	622	no
SDD2_EM TC	580	SEM10	D002058TC130XX07	B	52,2	C	n/a	E	67	478	no
SDD2 TC	875	on-board	D002088TC128XX05	A+	40,9	A	n/a	E	68	757	no
SDD2_EM TC	875	SEM1	D002088TC129XX05	B	50,9	A	n/a	E	59	682	no
SDD2_EM TC	875	SEM2	D002088TC115XX05	B	79,3	C	n/a	E	62	731	no
SDD2_EM TC	875	SEM8	D002088TC117XX05	C	99	B	n/a	F	64	753	no
SDD2_EM TC	875	SEM10	D002088TC130XX05	B	50,6	C	n/a	E	61	530	no
SDD2-L INOX	580	on-board	D002058PB1281116	B	51,7	A	E	E	69	636	1x8
SDD2-L-EM INOX	580	SEM1	D002058PB1291116	B	50,5	B	E	E	66	595	1x8
SDD2-L-EM INOX	580	SEM2	D002058PB1151116	C	88,9	C	E	E	68	577	1x8
SDD2-L-EM INOX	580	SEM8	D002058PB1171116	C	106,9	C	E	E	70	622	1x8
SDD2-L-EM INOX	580	SEM10	D002058PB1301116	C	58,1	C	E	E	67	478	1x8
SDD2-L INOX	875	on-board	D002088PB1281415	A	51,1	A	E	E	68	757	1x14
SDD2-L-EM INOX	875	SEM1	D002088PB1291415	B	61,1	A	E	E	59	682	1x14
SDD2-L-EM INOX	875	SEM2	D002088PB1151415	C	89,5	C	E	E	62	731	1x14
SDD2-L-EM INOX	875	SEM7 Ø150	D002088PB1161415	A	115,8	A	E	F	72	1142	1x14
SDD2-L-EM INOX	875	SEM7 Ø200	D002088PB1161415	A	119,4	A	E	F	74	1328	1x14
SDD2-L-EM INOX	875	SEM8	D002088PB1171415	C	109,2	B	E	F	64	753	1x14

# DOWNDRAFT UPRIGHT

<i>Product name</i>	<i>Dim.</i>	<i>Motor</i>	<i>Model Identifier</i>	<i>EEC</i>	<i>Annual Energy Consumption</i>	<i>Fluid Dynamic Efficiency</i>	<i>Light Efficiency Class</i>	<i>Grease Filtering Efficiency Class</i>	<i>Weighted Sound Power Emission at maximum speed</i>	<i>Air Flow at intensive /boost setting</i>	<i>Lighting</i>
				<i>EEC</i>	<i>AEChood</i>	<i>FDE</i>	<i>LE</i>	<i>GFE</i>	<i>dB(A)</i>	<i>QMAX</i>	<i>W</i>
SDD2-L-EM INOX	875	SEM10	D002088PB1301405	C	60,8	C	E	E	61	530	1x14
SDD2-L-EM INOX	875	SEM12	D002088PB1311405	B	71,7	A	E	E	68	668	1x14
SDD2-L INOX LED	875	on-board	D002088PB1282415	A	44,5	A	A	E	68	757	1x5
SDD2-L-EM INOX LED	875	SEM1	D002088PB1292415	B	54,5	A	A	E	59	682	1x5
SDD2-L-EM INOX LED	875	SEM2	D002088PB1152415	C	82,9	C	A	E	62	731	1x5
SDD2-L-EM INOX LED	875	SEM7 Ø150	D002088PB1162415	A+	109,2	A	A	F	72	1142	1x5
SDD2-L-EM INOX LED	875	SEM7 Ø200	D002088PB1162415	A+	112,9	A	A	F	74	1328	1x5
SDD2-L-EM INOX LED	875	SEM8	D002088PB1172415	C	102,6	B	A	F	64	753	1x5
SDD2-L-EM INOX LED	875	SEM10	D002088PB1302415	C	54,3	C	A	E	61	530	1x5
SDD2-L-EM INOX LED	875	SEM12	D002088PB1312415	A	59	A	A	E	68	668	1x5
SDD2-L INOX	1175	on-board	D002118PB1281317	B	60,7	A	F	E	65	791	1x21
SDD2-L-EM INOX	1175	SEM1	D002118PB1291317	B	58,7	A	F	E	55	736	1x21
SDD2-L-EM INOX	1175	SEM2	D002118PB1151317	C	99,4	B	F	E	57	738	1x21
SDD2-L-EM INOX	1175	SEM8	D002118PB1171317	C	107,3	B	F	F	60	807	1x21
SDD2-L-EM INOX	1175	SEM10	D002118PB1301317	C	67,1	C	F	E	59	559	1x21
SDD2-L TC	580	on-board	D002058TC1281116	B	51,7	A	E	E	69	636	1x8
SDD2-L-EM TC	580	SEM1	D002058TC1291116	B	50,5	B	E	E	66	595	1x8
SDD2-L-EM TC	580	SEM2	D002058TC1151116	C	88,9	C	E	E	68	577	1x8
SDD2-L-EM TC	580	SEM8	D002058TC1171116	C	106,9	C	E	E	70	622	1x8
SDD2-L-EM TC	580	SEM10	D002058TC1301116	C	58,1	C	E	E	67	478	1x8
SDD2-L TC	875	on-board	D002088TC1281415	A	51,1	A	E	E	68	757	1x14
SDD2-L-EM TC	875	SEM1	D002088TC1291415	B	61,1	A	E	E	59	682	1x14
SDD2-L-EM TC	875	SEM2	D002088TC1151415	C	89,5	C	E	E	62	731	1x14
SDD2-L-EM TC	875	SEM7 Ø150	D002088TC1161415	A	115,8	A	E	F	72	1142	1x14
SDD2-L-EM TC	875	SEM7 Ø200	D002088TC1161415	A	119,4	A	E	F	74	1328	1x14

# DOWNDRAFT UPRIGHT

<i>Product name</i>	<i>Dim.</i>	<i>Motor</i>	<i>Model Identifier</i>	<i>Energy efficiency Class</i> <i>EEC</i>	<i>Annual Energy Consumption</i> <i>AEChood</i>	<i>Fluid Dynamic Efficiency</i> <i>FDE</i>	<i>Light Efficiency Class</i> <i>LE</i>	<i>Grease Filtering Efficiency Class</i> <i>GFE</i>	<i>Weighted Sound Power Emission at maximum speed</i> <i>dB(A)</i>	<i>Air Flow at intensive /boost setting</i> <i>Qmax</i>	<i>Lighting</i> <i>W</i>
SDD2-L-EM TC	875	SEM8	D002088TC1171415	C	109,2	B	E	F	64	753	1x14
SDD2-L-EM TC	875	SEM10	D002088TC1301405	C	60,8	C	E	E	61	530	1x14
SDD2-L-EM TC	875	SEM12	D002088TC1311405	B	71,7	A	E	E	68	668	1x14
SDD2-L TC LED	875	on-board	D002088TC1282415	A	44,5	A	A	E	68	757	1x5
SDD2-L-EM TC LED	875	SEM1	D002088TC1292415	B	54,5	A	A	E	59	682	1x5
SDD2-L-EM TC LED	875	SEM2	D002088TC1152415	C	82,9	C	A	E	62	731	1x5
SDD2-L-EM TC LED	875	SEM7 Ø150	D002088TC1162415	A+	109,2	A	A	F	72	1142	1x5
SDD2-L-EM TC LED	875	SEM7 Ø200	D002088TC1162415	A+	112,9	A	A	F	74	1328	1x5
SDD2-L-EM TC LED	875	SEM8	D002088TC1172415	C	102,6	B	A	F	64	753	1x5
SDD2-L-EM TC LED	875	SEM10	D002088TC1302415	C	54,3	C	A	E	61	530	1x5
SDD2-L-EM TC LED	875	SEM12	D002088TC1312415	A	59	A	A	E	68	668	1x5
SDD2-L TC	1175	on-board	D002118TC1281317	B	60,7	A	F	E	65	791	1x21
SDD2-L-EM TC	1175	SEM1	D002118TC1291317	B	58,7	A	F	E	55	736	1x21
SDD2-L-EM TC	1175	SEM2	D002118TC1151317	C	99,4	B	F	E	57	738	1x21
SDD2-L-EM TC	1175	SEM8	D002118TC1171317	C	107,3	B	F	F	60	807	1x21
SDD2-L-EM TC	1175	SEM10	D002118TC1301317	C	67,1	C	F	E	59	559	1x21
SDD3_TC	520	on-board	D003052TC128XX07	A	45,9	A	n/a	E	69	636	no
SDD3_EM_TC	520	SEM1	D003052TC129XX07	A	44,6	B	n/a	E	66	595	no
SDD3_EM_TC	520	SEM2	D003052TC115XX07	C	83	C	n/a	E	68	577	no
SDD3_EM_TC	520	SEM8	D003052TC117XX07	C	101,1	C	n/a	E	70	622	no
SDD3_EM_TC	520	SEM10	D003052TC130XX07	B	52,2	C	n/a	E	67	478	no
SDD4_TC	880	on-board	D004088TC1281415	A	51,1	A	E	E	68	757	1x14
SDD4_EM_TC	880	SEM1	D004088TC1291415	B	61,1	A	E	E	59	682	1x14
SDD4_EM_TC	880	SEM2	D004088TC1151415	C	89,5	C	E	E	62	731	1x14
SDD4_EM_TC	880	SEM8	D004088TC1171415	C	109,2	B	E	F	64	753	1x14
SDD4_EM_TC	880	SEM10	D004088TC1301415	C	60,8	C	E	E	61	530	1x14

# DOWNDRAFT UPRIGHT

<i>Product name</i>	<i>Dim.</i>	<i>Motor</i>	<i>Model Identifier</i>	Energy efficiency Class <i>EEC</i>	Annual Energy Consumption <i>AEChood</i>	Fluid Dynamic Efficiency <i>FDE</i>	Light Efficiency Class <i>LE</i>	Grease Filtering Efficiency Class <i>GFE</i>	Weighted Sound Power Emission at maximum speed <i>dB(A)</i>	Air Flow at intensive /boost setting <i>Qmax</i>	Lighting <i>W</i>
<i>S-DD11 X</i>	810	<i>on-board</i>	<i>D011088PB1282219</i>	<i>B</i>	59,6	<i>B</i>	<i>F</i>	<i>E</i>	68	681	2x3,9
<i>S-DD11 EM X</i>	810	<i>SEM1</i>	<i>D011088PB1292219</i>	<i>B</i>	55,4	<i>B</i>	<i>F</i>	<i>E</i>	59	633	2x3,9
<i>S-DD11 EM X</i>	810	<i>SEM2</i>	<i>D011088PB1152219</i>	<i>C</i>	80,2	<i>C</i>	<i>F</i>	<i>E</i>	62	639	2x3,9
<i>S-DD11 EM X</i>	810	<i>SEM10</i>	<i>D011088PB1302219</i>	<i>C</i>	57,9	<i>C</i>	<i>F</i>	<i>E</i>	70	478	2x3,9
<i>S-DD11 EM X</i>	810	<i>SEM12</i>	<i>D011088PB1312219</i>	<i>C</i>	79,7	<i>C</i>	<i>F</i>	<i>E</i>	71	576	2x3,9
<i>S-DD12 TC</i>	870	<i>on-board</i>	<i>D012088TC1282339</i>	<i>A</i>	49,6	<i>A</i>	<i>E</i>	<i>E</i>	59	687	1x12
<i>S-DD12 EM TC</i>	870	<i>SEM1</i>	<i>D012088TC1292339</i>	<i>B</i>	51,7	<i>A</i>	<i>E</i>	<i>E</i>	59	687	1x12
<i>S-DD12 EM TC</i>	870	<i>SEM2</i>	<i>D012088TC1152339</i>	<i>B</i>	79,4	<i>B</i>	<i>E</i>	<i>E</i>	62	718	1x12
<i>S-DD12 EM TC</i>	870	<i>SEM8</i>	<i>D012088TC1172339</i>	<i>B</i>	97,9	<i>B</i>	<i>E</i>	<i>F</i>	64	816	1x12
<i>S-DD12 EM TC</i>	870	<i>SEM10</i>	<i>D012088TC1302339</i>	<i>C</i>	57,2	<i>C</i>	<i>E</i>	<i>E</i>	61	530	1x12
<i>S-DD13</i>	880	<i>on-board</i>	<i>D013088TC1283163</i>	<i>A</i>	50,8	<i>A</i>	<i>C</i>	<i>C</i>	68	690	1x9,5
<i>S-DD13 EM</i>	880	<i>SEM1</i>	<i>D013088TC1293163</i>	<i>A</i>	48,7	<i>A</i>	<i>C</i>	<i>C</i>	59	660	1x9,5
<i>S-DD13 EM</i>	880	<i>SEM2</i>	<i>D013088TC1153163</i>	<i>B</i>	75,2	<i>B</i>	<i>C</i>	<i>C</i>	62	665	1x9,5
<i>S-DD13 EM</i>	880	<i>SEM8</i>	<i>D013088TC1173163</i>	<i>C</i>	109,4	<i>C</i>	<i>C</i>	<i>C</i>	64	775	1x9,5
<i>S-DD13 EM</i>	880	<i>SEM10</i>	<i>D013088TC1303163</i>	<i>C</i>	65,7	<i>D</i>	<i>C</i>	<i>C</i>	61	525	1x9,5
<i>S-DD16 EM</i>	845	<i>SEM1</i>	<i>D016085TC129XX61</i>	<i>A</i>	47,5	<i>B</i>	<i>n/a</i>	<i>C</i>	66	600	<i>no</i>
<i>S-DD16 EM</i>	845	<i>SEM2</i>	<i>D016085TC115XX61</i>	<i>B</i>	73,6	<i>C</i>	<i>n/a</i>	<i>D</i>	68	582	<i>no</i>
<i>S-DD16 EM</i>	845	<i>SEM10</i>	<i>D016085TC130XX61</i>	<i>B</i>	52,1	<i>C</i>	<i>n/a</i>	<i>C</i>	70	484	<i>no</i>
<i>S-DD16 EM</i>	845	<i>SEM12</i>	<i>D016085TC131XX61</i>	<i>B</i>	73,6	<i>C</i>	<i>n/a</i>	<i>C</i>	71	577	<i>no</i>
<i>S-DD17 EM GLASS</i>	520	<i>SEM1</i>	<i>D017052TC129XX69</i>	<i>A</i>	47,8	<i>A</i>	<i>n/a</i>	<i>C</i>	66	618	<i>no</i>
<i>S-DD17 EM GLASS</i>	520	<i>SEM2</i>	<i>D017052TC115XX69</i>	<i>B</i>	73,1	<i>C</i>	<i>n/a</i>	<i>D</i>	68	597	<i>no</i>
<i>S-DD17 EM GLASS</i>	520	<i>SEM10</i>	<i>D017052TC130XX69</i>	<i>C</i>	59,7	<i>D</i>	<i>n/a</i>	<i>C</i>	70	493	<i>no</i>
<i>S-DD17 EM GLASS</i>	520	<i>SEM12</i>	<i>D017052TC131XX69</i>	<i>B</i>	67,5	<i>B</i>	<i>n/a</i>	<i>C</i>	71	642	<i>no</i>
<i>S-DD17 EM INOX</i>	520	<i>SEM1</i>	<i>D017052TC129XX69</i>	<i>A</i>	47,8	<i>A</i>	<i>n/a</i>	<i>C</i>	66	618	<i>no</i>
<i>S-DD17 EM INOX</i>	520	<i>SEM2</i>	<i>D017052TC115XX69</i>	<i>B</i>	73,1	<i>C</i>	<i>n/a</i>	<i>D</i>	68	597	<i>no</i>
<i>S-DD17 EM INOX</i>	520	<i>SEM10</i>	<i>D017052TC130XX69</i>	<i>C</i>	59,7	<i>D</i>	<i>n/a</i>	<i>C</i>	70	493	<i>no</i>
<i>S-DD17 EM INOX</i>	520	<i>SEM12</i>	<i>D017052TC131XX69</i>	<i>B</i>	67,5	<i>B</i>	<i>n/a</i>	<i>C</i>	71	642	<i>no</i>



## DOWNDRAFT UPRIGHT

<i>Product name</i>	<i>Dim.</i>	<i>Motor</i>	<i>Model Identifier</i>	<i>EEC</i>	<i>AEChood</i>	<i>FDE</i>	<i>LE</i>	<i>GFE</i>	<i>dB(A)</i>	<i>Qmax</i>	<i>W</i>
				<i>Energy efficiency Class</i>	<i>Annual Energy Consumption</i>	<i>Fluid Dynamic Efficiency</i>	<i>Light Efficiency Class</i>	<i>Grease Filtering Efficiency Class</i>	<i>Weighted Sound Power Emission at maximum speed</i>	<i>Air Flow at intensive /boost setting</i>	<i>Lighting</i>
S-DD18	880	on-board	D018088TC1282472	A	50,7	A	A	E	67	730	1x5
S-DD18 EM	880	SEM1	D018088TC1292472	A	46,8	A	A	E	61	665	1x5
S-DD18 EM	880	SEM2	D018088TC1152472	C	81,6	C	A	E	63	682	1x5
S-DD18 EM	880	SEM8	D018088TC1172472	B	93,9	B	A	F	66	787	1x5
S-DD18 EM	880	SEM10	D018088TC1302472	B	51,7	C	A	E	65	575	1x5
S-DD18 EM	880	SEM12	D018088TC1312472	A	58,7	A	A	E	73	715	1x5
UPRIGHT BUILT-IN	800	on-board	U001087PB1280262	A	48,5	A	B	F	68	755	1x10,5
UPRIGHT-EM BUILT-IN	800	SEM1	U001087PB1290262	A	55	A	B	F	59	685	1x10,5
UPRIGHT-EM BUILT-IN	800	SEM2	U001087PB1150262	C	91	C	B	F	62	763	1x10,5

## CEILING HOODS

<i>Product name</i>	<i>Motor</i>	<i>Model Identifier</i>	<i>EEC</i>	<i>AEChood</i>	<i>FDE</i>	<i>LE</i>	<i>GFE</i>	<i>dB(A)</i>	<i>Qmax</i>	<i>W</i>
			<i>Energy efficiency Class</i>	<i>Annual Energy Consumption</i>	<i>Fluid Dynamic Efficiency</i>	<i>Light Efficiency Class</i>	<i>Grease Filtering Efficiency Class</i>	<i>Weighted Sound Power Emission at maximum speed</i>	<i>Air Flow at intensive /boost setting</i>	<i>Lighting</i>
SLT951 EM	SEM1	C951110RC1291037	C	89	A	F	F	57	706	4x16
SLT951 EM	SEM2	C951110RC1151037	C	129,5	B	F	F	61	773	4x16
SLT958	on-board	C958090RC1280137	A	54,8	A	B	F	67	758	2X6,5
SLT958 EM	SEM1	C958090RC1290137	B	63,1	B	B	F	55	670	2X6,5
SLT958 EM	SEM2	C958090RC1150137	B	73,4	A	B	F	59	790	2X6,5
SLT958 W	on-board	C958090RC1280137	A	54,8	A	B	F	67	758	2X6,5
SLT958 EM W	SEM1	C958090RC1290137	B	63,1	B	B	F	55	670	2X6,5
SLT958 EM W	SEM2	C958090RC1150137	B	73,4	A	B	F	59	790	2X6,5
SLT958 h200	on-board	C958090RC1240173	B	58,9	C	B	F	63	600	2X6,5
SLT958 h200 BRH	on-board	C958090RC1270173	B	70,6	A	B	F	66	760	2X6,5
SLT958 h200 W	on-board	C958090RC1240173	B	58,9	C	B	F	63	600	2X6,5
SLT958 h200 W BRH	on-board	C958090RC1270173	B	70,6	A	B	F	66	760	2X6,5
SLT960	on-board	C960110RC1283435	B	59,6	A	D	F	66	753	2x12
SLT960 EM	SEM1	C960110RC1293435	B	74,3	B	D	F	65	681	2x12
SLT960 EM	SEM2	C960110RC1153435	C	88,3	B	D	F	71	736	2x12

# CEILING HOODS

<i>Product name</i>	<i>Dim.</i>	<i>Motor</i>	<i>Model Identifier</i>	Energy efficiency Class <i>EEC</i>	Annual Energy Consumption <i>AEChood</i>	Fluid Dynamic Efficiency <i>FDE</i>	Light Efficiency Class <i>LE</i>	Grease Filtering Efficiency Class <i>GFE</i>	Weighted Sound Power Emission at maximum speed <i>dB(A)</i>	Air Flow at intensive /boost setting <i>Qmax</i>	Lighting <i>W</i>
SLT962		on-board	C962090RC1241940	C	63,3	C	D	F	61	604	1x20
SLT962 EM		SEM1	C962090RC1291940	B	74,6	B	D	F	65	602	1x20
SLT962 EM		SEM2	C962090RC1151940	C	101,8	C	D	F	71	610	1x20
SLT966		on-board	C966100RC1243268	B	56,4	C	C	F	63	615	2x5
SLT966 BRH		on-board	C966100RC1273268	B	68,6	B	C	F	68	757	2x5
SLT966 EM		SEM1	C966100RC1293268	A	51,3	A	C	F	71	675	2x5
SLT966 EM		SEM2	C966100RC1153268	B	79,2	B	C	F	71	691	2x5
SLT967		on-board	C967100RC1242565	C	71,8	C	0	F	63	615	2x15,5
SLT967 BRH		on-board	C967100RC1272565	B	84	B	0	F	68	757	2x15,5
SLT967 EM		SEM1	C967100RC1292565	B	66,6	A	0	F	71	675	2x15,5
SLT967 EM		SEM2	C967100RC1152565	C	94,5	B	0	F	71	691	2x15,5
SLT968		on-board	C968110RC1283335	A	51,2	A	C	F	67	765	2x10,5
SLT968 h200		on-board	C968110RC1243313	C	63,5	C	C	F	62	627	2x10,5
SLT968 h200		SEM1	C968110RC1293313	B	63,1	A	C	F	62	685	2x10,5
SLT968 h200		SEM2	C968110RC1153313	B	87,1	B	C	F	63	730	2x10,5
SLT968 W		on-board	C968110RC1283335	A	51,2	A	C	F	67	756	2x10,5
SLT968 W h200		on-board	C968110RC1243313	C	63,5	C	C	F	62	627	2x10,5
SLT968 W h200		SEM1	C968110RC1293313	B	87,1	A	C	F	62	685	2x10,5
SLT968 W h200		SEM2	C968110RC1153313	B	51,2	B	C	F	63	730	2x10,5
SLT970		on-board	C970100RC1243643	B	53,7	C	C	F	63	600	3x2,5
SLT970 BRH		on-board	C970100RC1273643	A	60,7	A	C	F	70	760	3x2,5
SLT970 EM		SEM1	C970100RC1293643	B	54,8	A	C	F	61	665	3x2,5
SLT970 EM		SEM2	C970100RC1153643	C	84	C	C	F	65	693	3x2,5
SLT971	900	on-board	C971090RC1243637	B	53,7	C	A	F	64	600	3x2,5
SLT971 BRH	900	on-board	C971090RC1273637	A	60,4	A	A	F	66	775	3x2,5
SLT971 EM	900	SEM1	C971090RC1293637	B	54,8	A	A	F	61	665	3x2,5
SLT971 EM	900	SEM2	C971090RC1153637	C	84	C	A	F	65	693	3x2,5
SLT971	1200	on-board	C971120RC1243637	B	55,5	C	A	F	64	610	4x2,5
SLT971 BRH	1200	on-board	C971120RC1273637	B	62,2	A	A	F	66	785	4x2,5
SLT971 EM	1200	SEM1	C971120RC1293637	B	56,6	A	A	F	61	675	4x2,5
SLT971 EM	1200	SEM2	C971120RC1153637	C	85,8	C	A	F	65	703	4x2,5

<i>Product name</i>	<i>Dim.</i>	<i>Motor</i>	<i>Model Identifier</i>	Energy efficiency Class <i>EEC</i>	Annual Energy Consumption <i>AEChood</i>	Fluid Dynamic Efficiency <i>FDE</i>	Light Efficiency Class <i>LE</i>	Grease Filtering Efficiency Class <i>GFE</i>	Weighted Sound Power Emission at maximum speed <i>dB(A)</i>	Air Flow at intensive /boost setting <i>Qmax</i>	Lighting <i>W</i>
<i>SLT971 W</i>	900	<i>on-board</i>	<i>C971090RC1243637</i>	<i>B</i>	<i>53,7</i>	<i>C</i>	<i>A</i>	<i>F</i>	<i>64</i>	<i>600</i>	<i>3x2,5</i>
<i>SLT971 W BRH</i>	900	<i>on-board</i>	<i>C971090RC1273637</i>	<i>A</i>	<i>60,4</i>	<i>A</i>	<i>A</i>	<i>F</i>	<i>66</i>	<i>775</i>	<i>3x2,5</i>
<i>SLT971 EM W</i>	900	<i>SEM1</i>	<i>C971090RC1293637</i>	<i>B</i>	<i>54,8</i>	<i>A</i>	<i>A</i>	<i>F</i>	<i>61</i>	<i>665</i>	<i>3x2,5</i>
<i>SLT971 EM W</i>	900	<i>SEM2</i>	<i>C971090RC1153637</i>	<i>C</i>	<i>84</i>	<i>C</i>	<i>A</i>	<i>F</i>	<i>65</i>	<i>693</i>	<i>3x2,5</i>
<i>SLT971 W</i>	1200	<i>on-board</i>	<i>C971120RC1243637</i>	<i>B</i>	<i>55,5</i>	<i>C</i>	<i>A</i>	<i>F</i>	<i>64</i>	<i>610</i>	<i>4x2,5</i>
<i>SLT971 W BRH</i>	1200	<i>on-board</i>	<i>C971120RC1273637</i>	<i>B</i>	<i>62,2</i>	<i>A</i>	<i>A</i>	<i>F</i>	<i>66</i>	<i>785</i>	<i>4x2,5</i>
<i>SLT971 EM W</i>	1200	<i>SEM1</i>	<i>C971120RC1293637</i>	<i>B</i>	<i>56,6</i>	<i>A</i>	<i>A</i>	<i>F</i>	<i>61</i>	<i>675</i>	<i>4x2,5</i>
<i>SLT971 EM W</i>	1200	<i>SEM2</i>	<i>C971120RC1153637</i>	<i>C</i>	<i>85,8</i>	<i>C</i>	<i>A</i>	<i>F</i>	<i>65</i>	<i>703</i>	<i>4x2,5</i>

## DECORATIVE ISLAND

<i>Product name</i>	<i>Dim.</i>	<i>Motor</i>	<i>Model Identifier</i>	Energy efficiency Class <i>EEC</i>	Annual Energy Consumption <i>AEChood</i>	Fluid Dynamic Efficiency <i>FDE</i>	Light Efficiency Class <i>LE</i>	Grease Filtering Efficiency Class <i>GFE</i>	Weighted Sound Power Emission at maximum speed <i>dB(A)</i>	Air Flow at intensive /boost setting <i>Qmax</i>	Lighting <i>W</i>
<i>SIL 24</i>	900	<i>on-board</i>	<i>I024090PB1280137</i>	<i>A</i>	<i>49,3</i>	<i>A</i>	<i>B</i>	<i>A</i>	<i>70</i>	<i>730</i>	<i>2x6,5</i>
<i>SIL 24 TC</i>	900	<i>on-board</i>	<i>I024090PB1280137</i>	<i>A</i>	<i>49,3</i>	<i>A</i>	<i>B</i>	<i>A</i>	<i>70</i>	<i>730</i>	<i>2x6,5</i>
<i>MO404</i>		<i>on-board</i>	<i>I404036RC1282604</i>	<i>A</i>	<i>44,3</i>	<i>A</i>	<i>A</i>	<i>D</i>	<i>71</i>	<i>730</i>	<i>1x4</i>
<i>MO405</i>		<i>on-board</i>	<i>I405040RC1282604</i>	<i>A</i>	<i>44,3</i>	<i>A</i>	<i>A</i>	<i>D</i>	<i>71</i>	<i>730</i>	<i>1x4</i>
<i>MO406</i>		<i>on-board</i>	<i>I406040RC1280857</i>	<i>B</i>	<i>70,6</i>	<i>A</i>	<i>D</i>	<i>D</i>	<i>71</i>	<i>730</i>	<i>1x40</i>

# WALL HOODS

<i>Product name</i>	<i>Dim.</i>	<i>Motor</i>	<i>Model Identifier</i>	Energy efficiency Class	Annual Energy Consumption	Fluid Dynamic Efficiency	Light Efficiency Class	Grease Filtering Efficiency Class	Weighted Sound Power Emission at maximum speed	Air Flow at intensive /boost setting	Lighting
				EEC	AEChood	FDE	LE	GFE	dB(A)	Qmax	W
SL 31	600	on-board	P031060PB1280637	A	42,3	A	A	A	72	719	2x2,1
SL 31	900	on-board	P031090PB1280637	A	44,6	A	A	B	72	720	2x2,1
SL 31	1000	on-board	P031100PB1280637	A	44,6	A	A	B	72	720	2x2,1
SL 31	1200	on-board	P031120PB1280637	A	44,6	A	A	A	72	720	2x2,1
SL 31-EM	900	SEM1	P031090PB1290637	A	50,7	A	A	A	72	703	2x2,1
SL 31-EM	900	SEM2	P031090PB1150637	B	70,9	B	A	A	72	723	2x2,1
SLTR 75 (60)	600	on-board	P075060RB1010121	B	63,6	B	B	D	71	647	1x6,5
SLTR 75 (90)	900	on-board	P075090RB1280220	A+	45,6	A	B	D	71	757	1x10,5
SLTC 75 (60)	600	on-board	P075060TC1010121	B	63,6	B	B	D	71	647	1x6,5
SLTC 75 (90)	900	on-board	P075090TC1280220	A+	45,6	A	B	D	71	757	1x10,5
SL 89 55	550	on-board	P089055PB1280542	A	44,4	A	A	E	69	748	2x2,1
SL 89 80	800	on-board	P089080PB1280542	A	45,4	A	A	E	69	750	2x2,1
SL 90 55	550	on-board	P090055SL1020113	A	46,0	A	B	C	69	748	1x6,5
SL 91 80	800	on-board	P091080SL1020122	A	47,1	A	B	D	69	750	1x6,5
SLTC 92	900	on-board	P092090TC1280137	A	49,3	A	B	A	72	730	2x6,5
SL 92 X	900	on-board	P092090PB1280137	A	49,3	A	B	A	72	730	2x6,5
SLTC 93 60	600	on-board	P093060TC1280122	A	46,0	A	B	C	65	748	1x6,5
SLTC 93 80	800	on-board	P093080TC1280122	A	47,1	A	B	C	69	750	1x6,5
SLTC 94	800	on-board	P094080TC1280113	A	47,1	A	B	D	69	750	1x6,5
SLTC 95	670	on-board	P095067TC1280118	A	45,9	A	B	B	69	698	1x6,5
SLTC 97	900	on-board	P097090TC1280102	A	45,9	A	B	A	72	773	2x6,5
SLTC 103	700	on-board	P103070TC1280113	A	47,1	A	B	C	65	748	1x6,5
SL 107	900	on-board	P107090PB1280144	A	43,5	A	A	A	67	782	2x6,5
SLTC 107	900	on-board	P107090TC1280144	A	43,5	A	A	A	67	782	2x6,5
SLTC 110	800	on-board	P110080TC1280239	A+	46,1	A	A	C	64	777	1x10,5
SLTC 111	800	on-board	P111080TC1240237	A	42,9	A	A	C	60	615	1x10,5
MO207		on-board	P207040RC1282604	A	44,3	A	A	D	71	730	1x4
MO208		on-board	P208036RC1282604	A	44,3	A	A	D	71	730	1x4

## BUILT-IN PRODUCTS

<i>Product name</i>	<i>Dim.</i>	<i>Motor</i>	<i>Model Identifier</i>	Energy efficiency Class	Annual Energy Consumption	Fluid Dynamic Efficiency	Light Efficiency Class	Grease Filtering Efficiency Class	Weighted Sound Power Emission at maximum speed	Air Flow at intensive /boost setting	Lighting
				EEC	AEChood	FDE	LE	GFE	dB(A)	Qmax	W
SM 900	520	on-board	G900052PB1010657	B	58,1	B	A	B	70	604	2x2,1
SM 900	700	on-board	G900070PB1010657	B	54,9	B	A	B	70	654	2x2,1
SL 900	520	on-board	G900052PB1280657	A	46,6	A	A	B	70	762	2x2,1
SL 900	700	on-board	G900070PB1280657	A	46,9	A	A	B	70	773	2x2,1
SLT 900	520	on-board	G900052RC1280657	A	46,6	A	A	B	70	762	2x2,1
SLT 900	700	on-board	G900070RC1280657	A	46,9	A	A	B	70	773	2x2,1
SL 903-P	700	on-board	G903070PB1280541	A	55,2	A	A	B	69	700	4x2,1
SL 903-P-EM	700	SEM1	G903070PB1290541	B	58,1	B	A	B	65	630	4x2,1
SL 903-P-EM	700	SEM2	G903070PB1150541	C	80,2	C	A	B	66	630	4x2,1
SL 903-P	900	on-board	G903090PB1280541	A	50,9	A	A	B	69	705	4x2,1
SL 903-P-EM	900	SEM1	G903090PB1290541	B	58,5	B	A	B	65	624	4x2,1
SL 903-P-EM	900	SEM2	G903090PB1150541	C	81,1	C	A	B	66	632	4x2,1
SM 905	520	on-board	G905052PB1010624	B	58,1	B	A	B	70	604	2x2,1
SM 905	850	on-board	G905085PB1010624	B	54,9	B	A	B	70	654	2x2,1
SL 906-L	520	on-board	G906052PB1280152	A	46,5	A	A	A	71	680	1x6,5
SL 906-L	850	on-board	G906085PB1280253	A	49,0	A	B	A	71	743	1x10,5
SL906-L	1000	on-board	G906100PB1280349	A	52,7	A	B	A	71	743	1x15,5
SL 907	520	on-board	G907052PB1281159	B	55,3	A	F	B	69	682	2x8
SL 907	700	on-board	G907070PB1281246	B	67,9	A	F	B	69	715	2x15
SL 909	856	on-board	G909086PB1282648	A	46,0	A	A	A	71	757	2x4
SL 909	1400	on-board	G909140PB1282648	A	49,2	A	A	A	71	768	4x4
SL 913	520	on-board	G913052PB1280127	A	58,8	A	D	B	69	668	1x6,5
SL 913	780	on-board	G913078PB1280227	A	52,2	A	E	B	69	721	1x10,5
SL 914	520	on-board	G914052PB1280529	A	57,1	A	A	B	69	668	2x2,1
SL 914	780	on-board	G914078PB1280524	A	55,7	A	A	B	69	721	2x2,1
SL 919	520	on-board	G919052TC1280166	A	46,5	A	A	A	71	680	1x6,5
SL 919	850	on-board	G919085TC1280267	A+	45,6	A	B	A	71	772	1x10,5
SL 921	520	on-board	G921052PB1283641	A	57,7	A	A	B	69	668	2x2,5
SL 921	780	on-board	G921078PB1283641	A	48,2	A	A	B	69	721	2x2,5

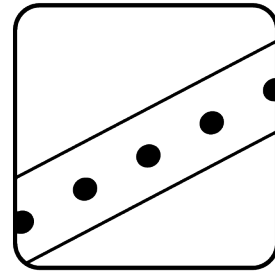
LED technology that lasts 30.000 hours

The lighting surface is homogeneous, there are no overshadows and the light source is out of sight.

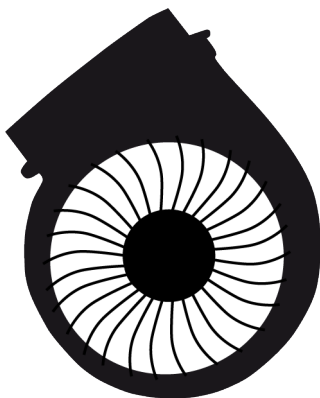
Spotlights are entirely assembled in Italy

The technical features of the spotlights, such as power, dimensions, colour temperature and other technical specifications have been studied, defined and optimized according to the finished product to be realized.

## LIGHTING



## BRUSHLESS motors



### Energy saving

High suction efficiency

Using a brushless motor allows to lower the consumption (kw/h) by 85% when the appliance is used in the low – medium speeds and by 35% in high speeds.

### Quietness

It is the quietest motor on the market and its performances remain stable in any given use condition, even with complicated installations.

### Longer life of the product

**High efficiency carbon filters** allow a higher filtering efficiency compared to standard carbon grain filters.

These filters are made of a mold of foam in polyurethane, having activated carbon spheres in it and allowing high permeability of the air compared to normal carbon grain filters. At the same time, it allows the highest absorption of smells thanks to its top quality activated carbon.

The advantages of using a high efficiency carbon filter, instead of a typical carbon filter, are:

Higher filtering efficiency

Smaller losses during air filtration

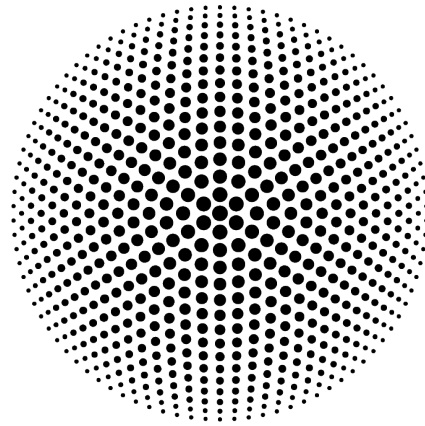
### **Long lasting**

To restore / regenerate high efficiency and washable filters it is necessary to wash them in the dishwasher and then put them for 1 hour into the oven at max 90°C.

**EFFICIENCY** is measured by the absorption capacity of the filter related to its weight. If the filter weight is 100g, an efficiency of 98.8 means that it can absorb 98.8g of greases.

**LIFESPAN** we took into account a standard use of 1 hour/day at medium speed level.

## **HIGH EFFICIENCY** carbon filter



art direction  
Giacomo Fava

The printing process do not always permit  
a faithful reproduction of tones  
and materials of originals.

Sirius S.p.A. reserves the right to change,  
at any time and without prior warning,  
the technical specifications of any product  
illustrated in this catalogue.

This catalogue is of exclusive propriety  
of Sirius spa. All rights are reserved.  
Any form of total or partial reproduction  
of catalogue is strictly forbidden.

Security and respect of the general requirements  
of Directives are the basis for the realization  
of our products. It is a question of quality  
and security, well spread in our company.  
Together with the protection of environment,  
and the health of our employees. Working  
with us with passion, being respectful and  
taking care of our company is like living at home.

**SIRIUS S.p.a.**  
Zona Ind.le Berbentina 6/A  
60041 Sassoferrato (An)  
Tel. +39 0732.97171  
Fax. +39 0732.95493

[www.siriuscappe.com](http://www.siriuscappe.com)



APRIL 2018  
cod. 99000000018